

# PLUMBING

## L-Stems

Plumbing DIY Replacement



Faucet

lapno :



**HOLINKING HARDWARE**  
[www.holinking.com](http://www.holinking.com)

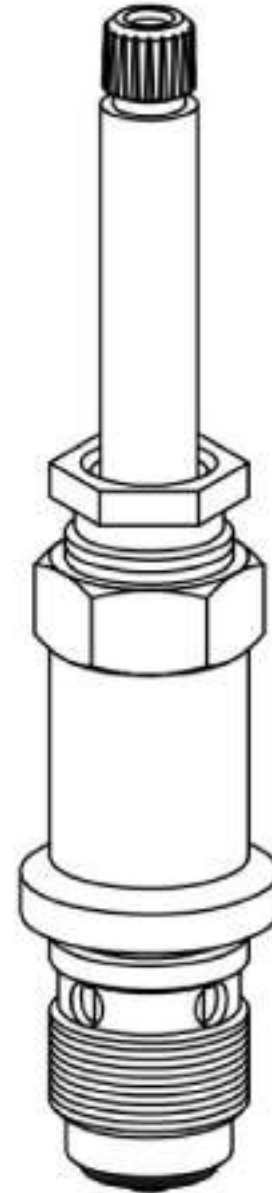


W60101



AM.STANDARD 4-1/2"  
DIVERTER

W60171



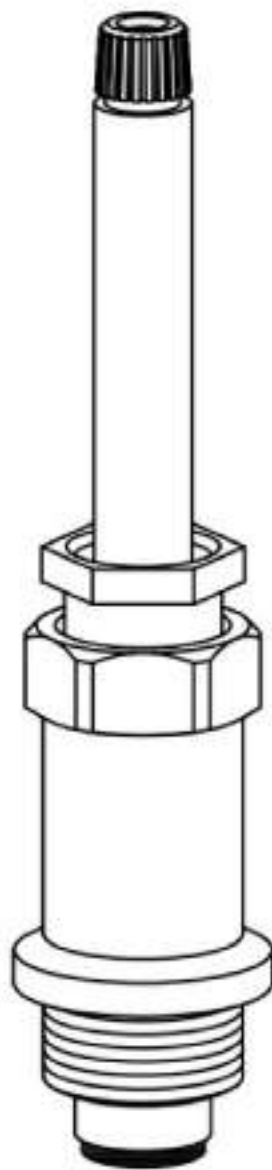
AM.STANDARD 5-15/16"  
DIVERTER  
WITH C.P (1)

W60173



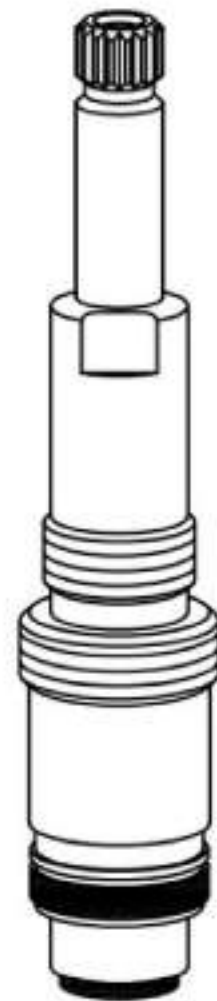
AM.STANDARD 5"  
DIVERTER

W60170



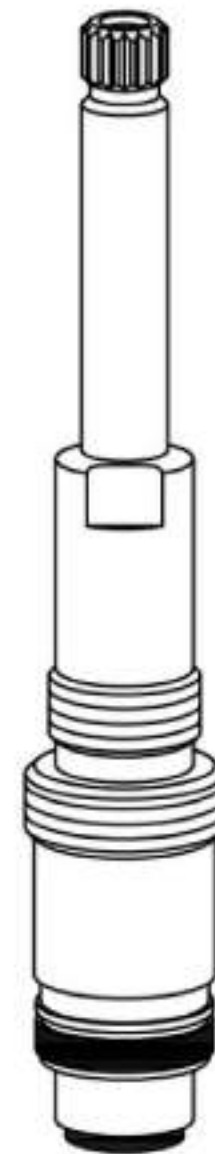
AM.STANDARD 5-1/4"  
HOT/COLD  
WITH C.P (1)

W60172



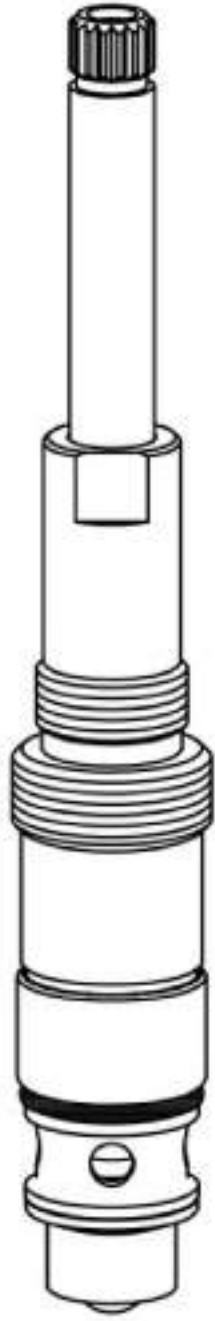
AM.STANDARD 4-1/2"  
HOT/COLD

W60174



AM.STANDARD 5"  
HOT/COLD

W60175



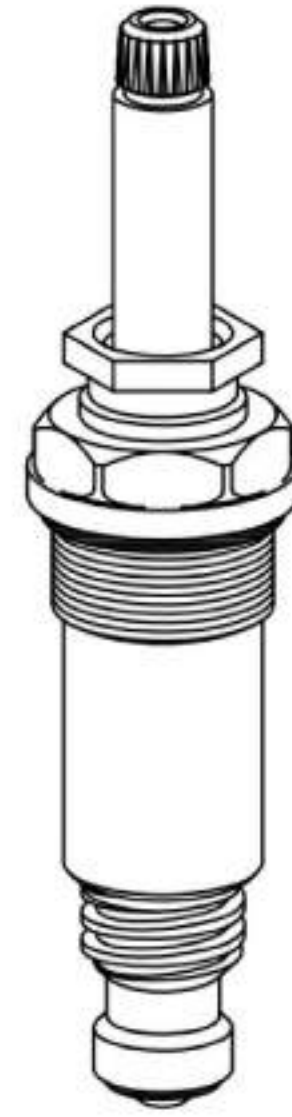
AM.STANDARD 5-3/4"  
DIVERTER

W60177



AMERICAN BRASS 3-15/16"  
DIVERTER

W60182



AM.STANDARD 5"  
HOT  
WITH C.P (1)

W60176



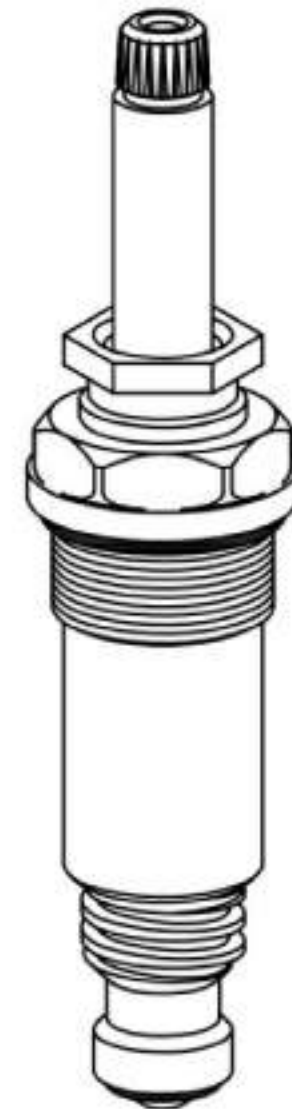
AMERICAN BRASS 2-21/32"  
HOT/COLD

W60178



HOT

W60183

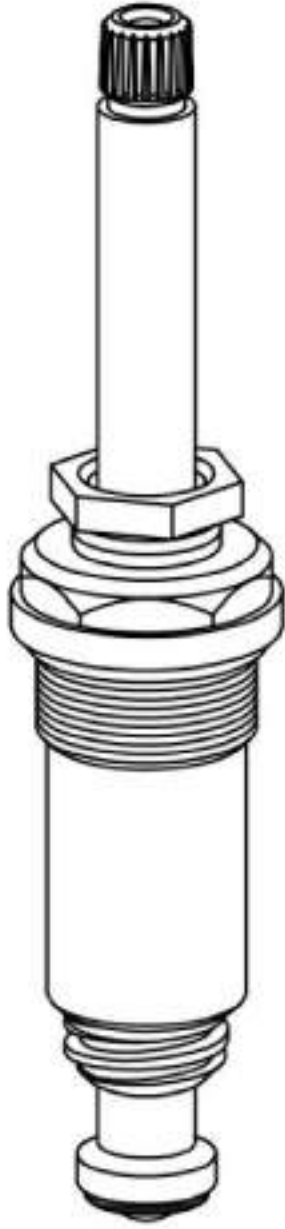


AM.STANDARD 5"  
COLD  
WITH C.P (1)

W60184



22 PT.

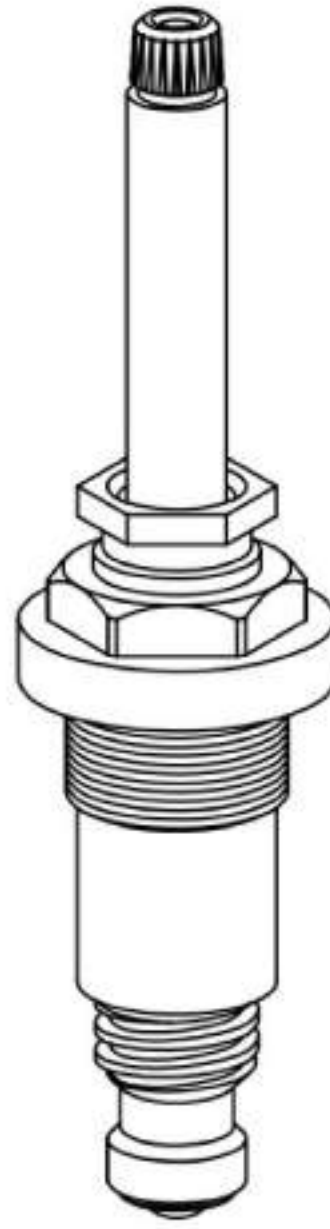


AM.STANDARD 5-3/8"  
HOT  
WITH C.P (1)

W60186



22 PT.

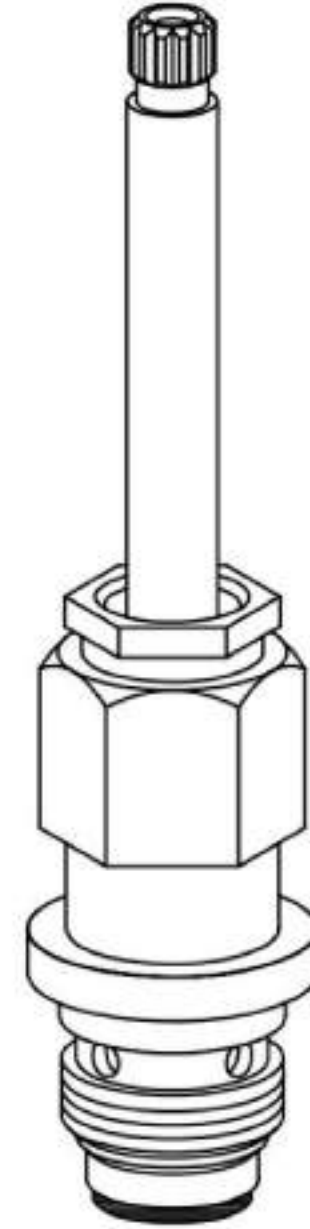


AM.STANDARD 5-15/32"  
HOT/COLD  
WITH C.P (1)

W60192



12 PT.

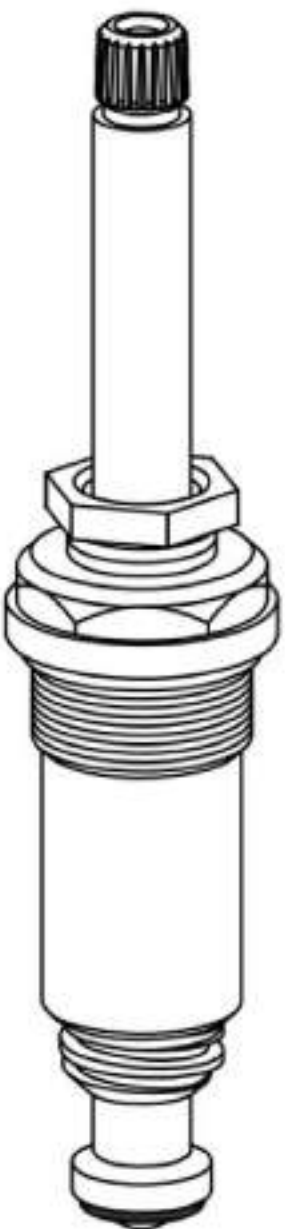


ARROWHEAD BRASS 5-1/2"  
DIVERter  
WITH C.P (1)

W60185



22 PT.

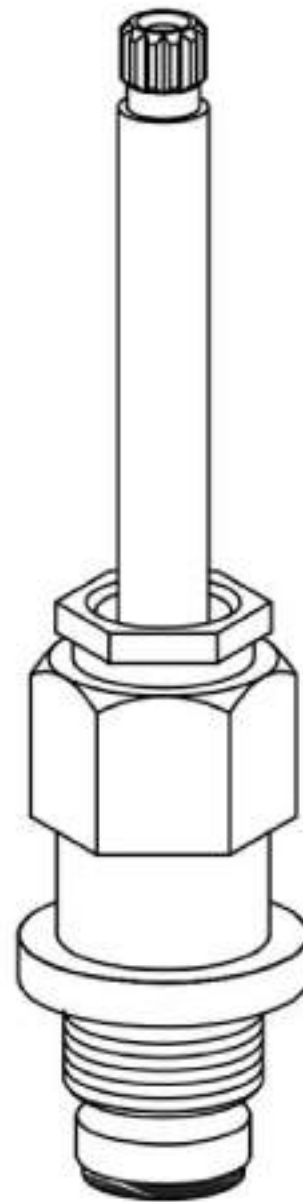


AM.STANDARD 5-3/8"  
COLD  
WITH C.P (1)

W60191



12 PT.



ARROWHEAD BRASS 5-1/4"  
HOT/COLD  
WITH C.P (1)

W60240



16 PT.

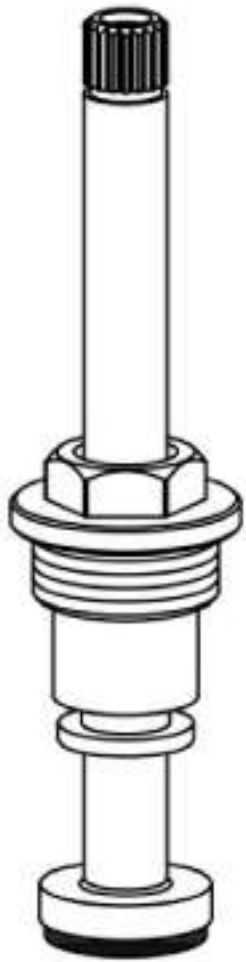


BARNES 5"  
HOT/COLD

W60250



18 PT.

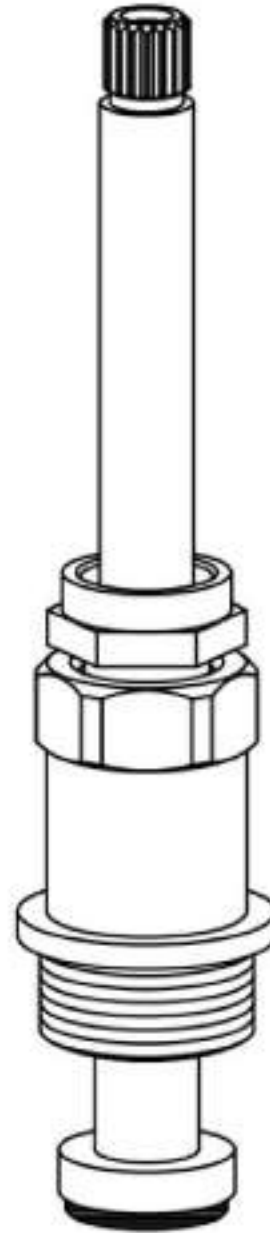


BRIGGS 4-1/2"  
HOT

W60252



18 PT.



BRIGGS 5-1/2"  
HOT/COLD  
WITH C.P. (1)

W60255



18 PT.

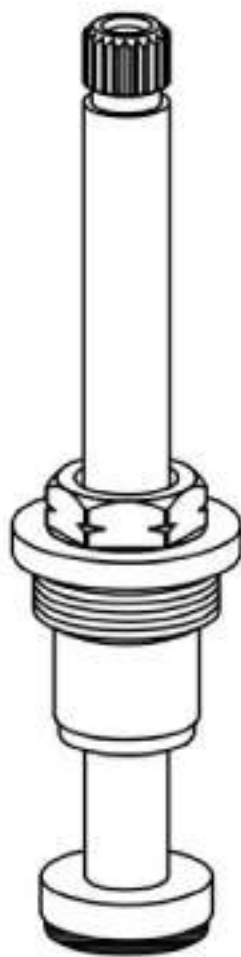


BRIGGS 4-1/2"  
COLD

W60251



18 PT.



BRIGGS 4-1/2"  
COLD

W60254



18 PT.



BRIGGS 4-1/2"  
HOT

W60256

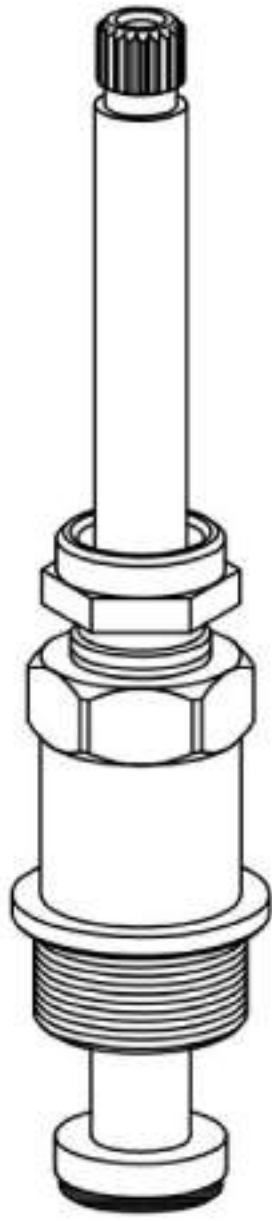


18 PT.



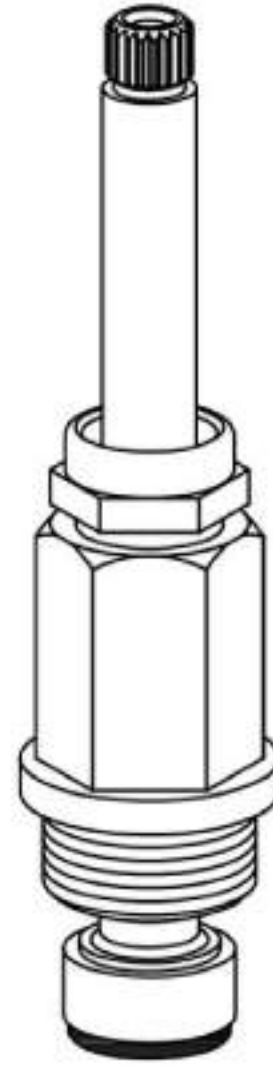
BRIGGS 5"  
DIVERTER

W60257



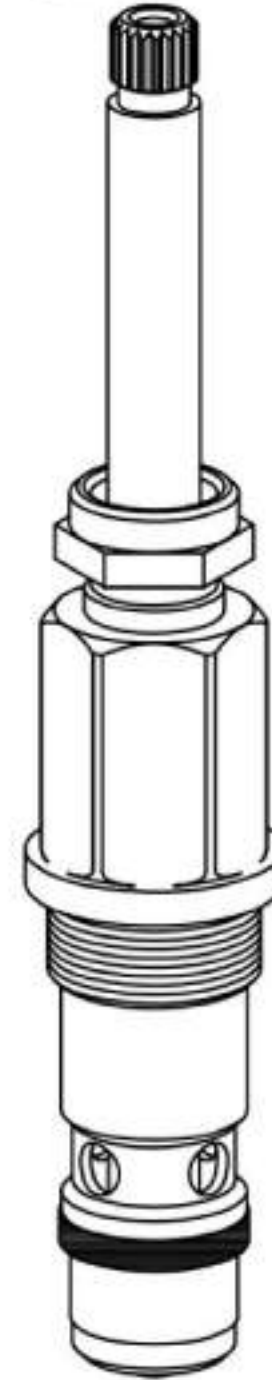
BRIGGS 5-1/2"  
HOT/COLD

W60260



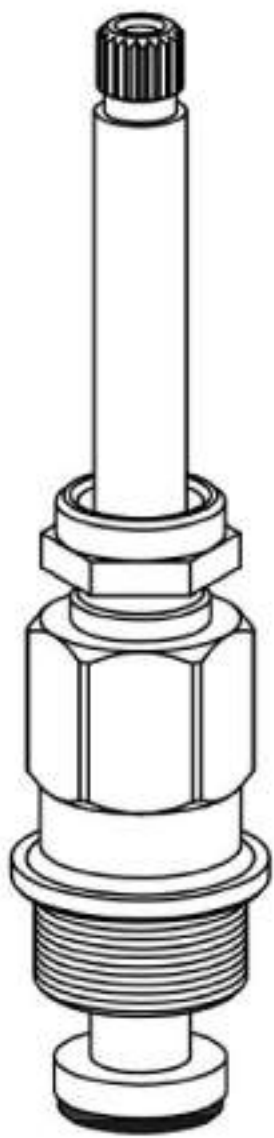
BRIGGS 4-5/8"  
HOT  
WITH C.P (1)

W60262



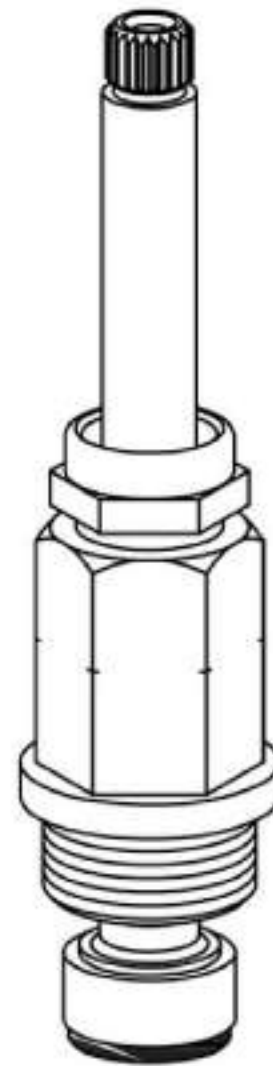
BRIGGS 6-1/8"  
DIVERTER  
WITH C.P (1)

W60259



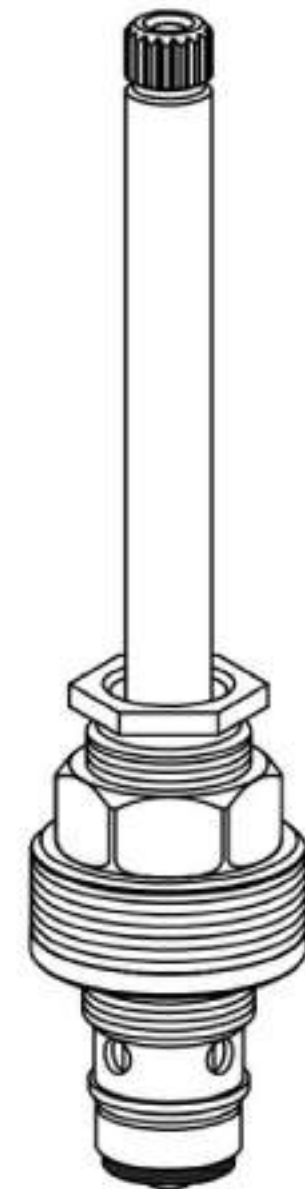
BRIGGS 5"  
HOT/COLD

W60261



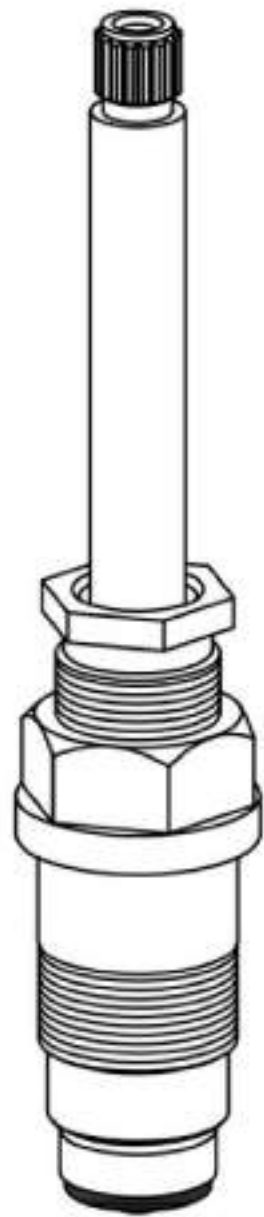
BRIGGS 4-5/8"  
COLD  
WITH C.P (1)

W60321



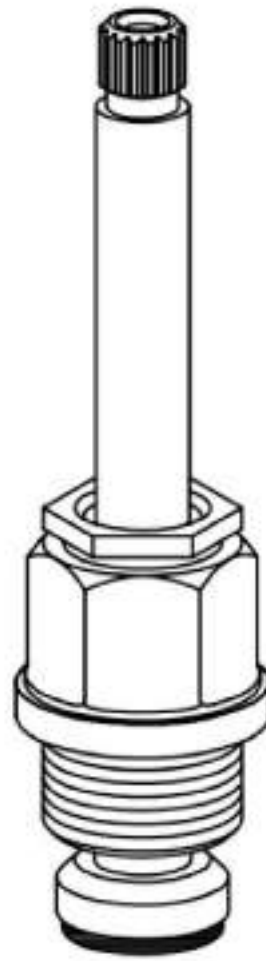
CENTRAL BRASS 5"  
DIVERTER

W60323



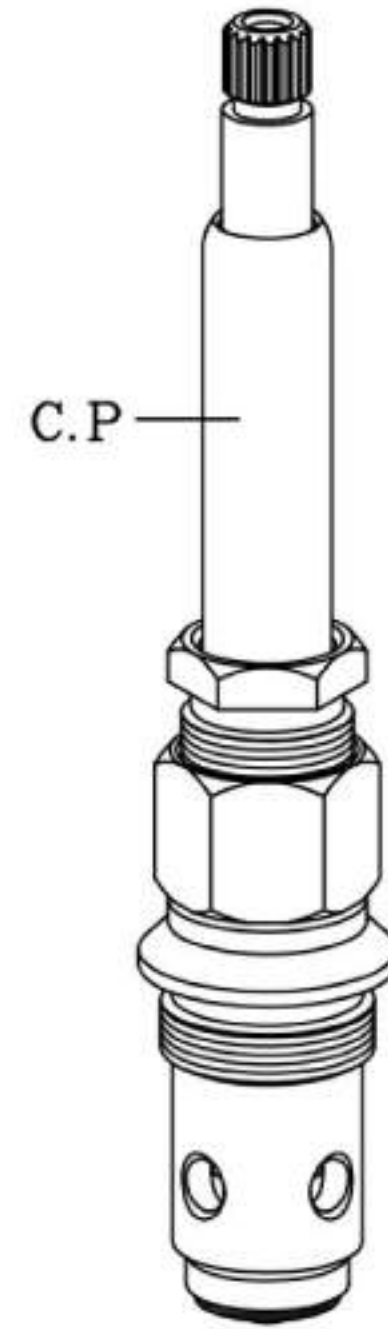
CENTRAL BRASS 5-3/8"  
HOT/COLD

W60328



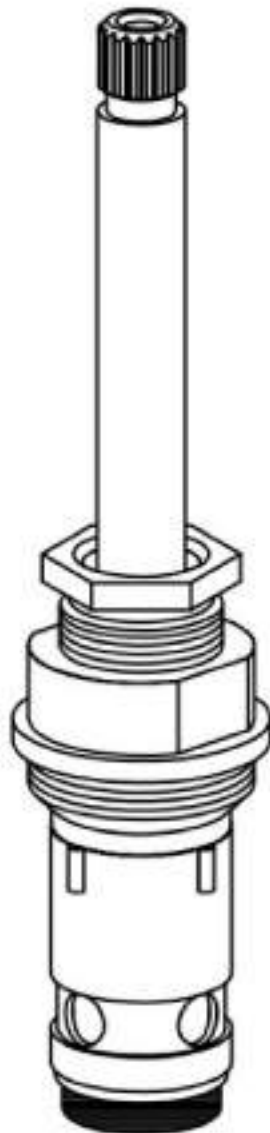
CENTRAL BRASS 4-1/8"  
HOT/COLD

W60330



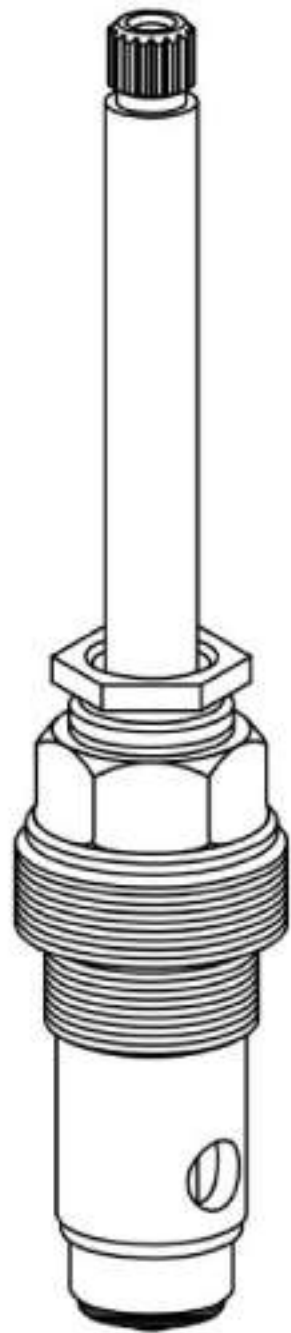
CENTRAL BRASS 5-7/8"  
DIVERTER

W60324



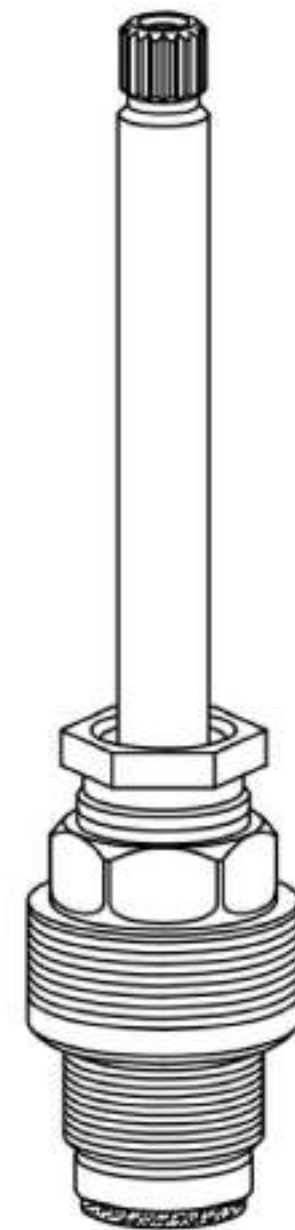
CENTRAL BRASS 5"  
DIVERTER

W60329



CENTRAL BRASS 5-7/8"  
DIVERTER

W60331

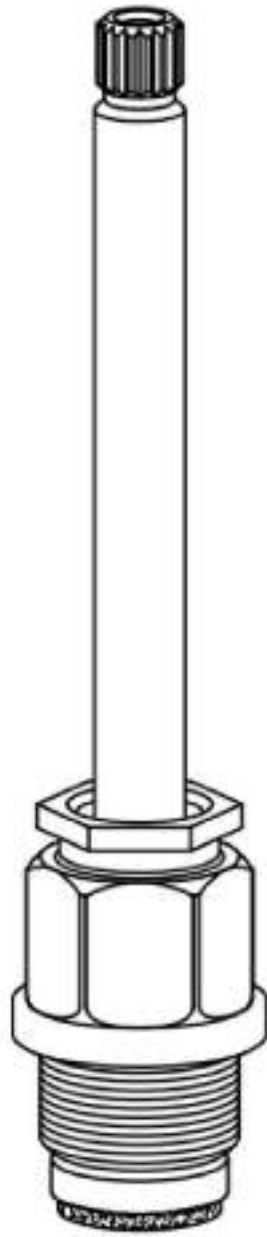


CENTRAL BRASS 5-1/2"  
HOT/COLD

W60332



16 PT.

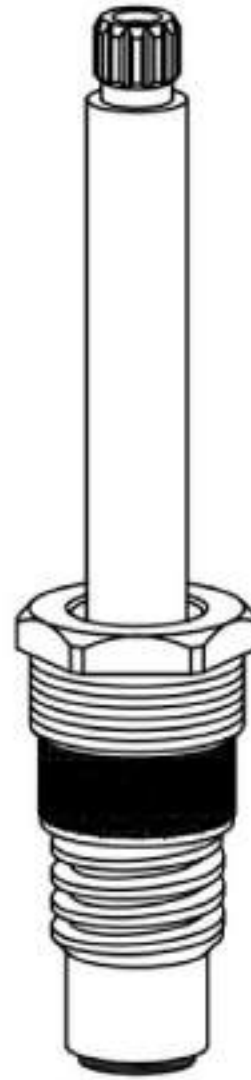


CENTRAL BRASS 5-1/2"  
HOT/COLD

W60334



12 PT.

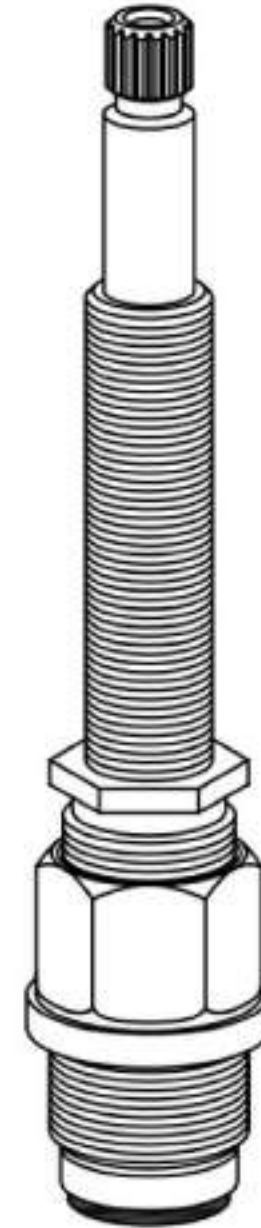


CRANE 4-3/4"  
HOT

W60336



16 PT.

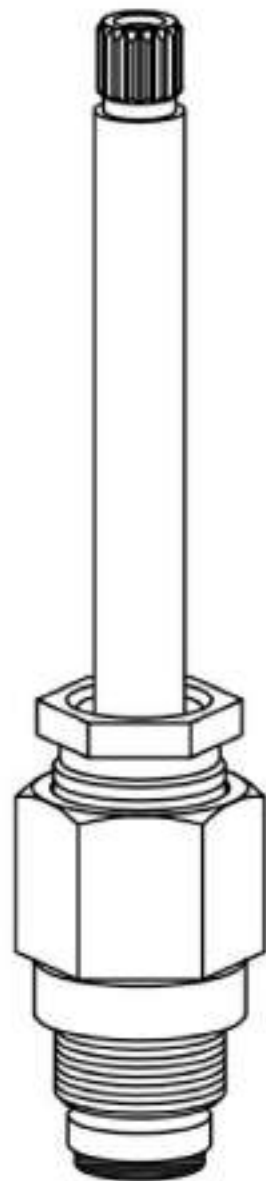


CENTRAL BRASS 5-1/2"  
HOT/COLD

W60333



16 PT.



CENTRAL BRASS 5"  
HOT/COLD

W60335



12 PT.

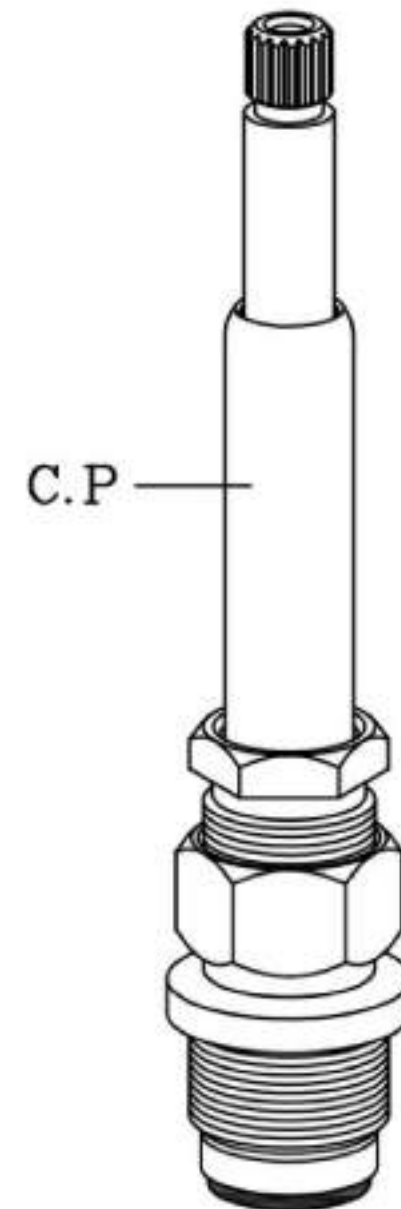


CRANE 4-27/32"  
HOT/COLD

W60337



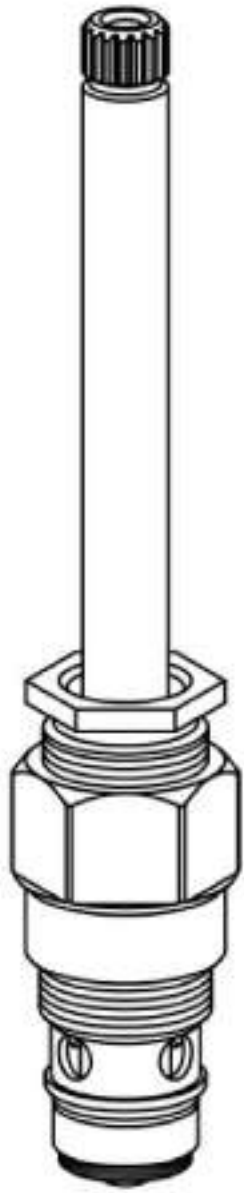
16 PT.



CENTRAL BRASS 5-1/2"  
HOT/COLD  
WITH C.P (1)

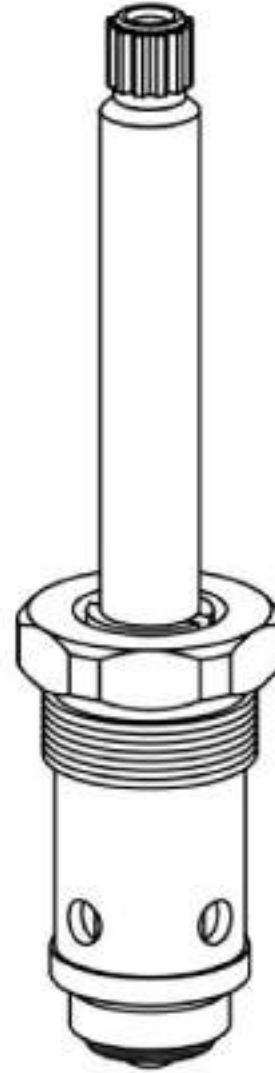


W60338



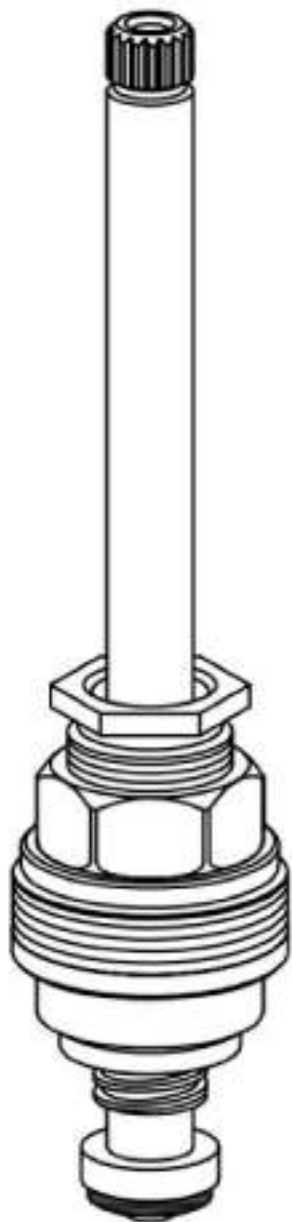
CENTRAL BRASS 5"  
DIVERTER

W60341



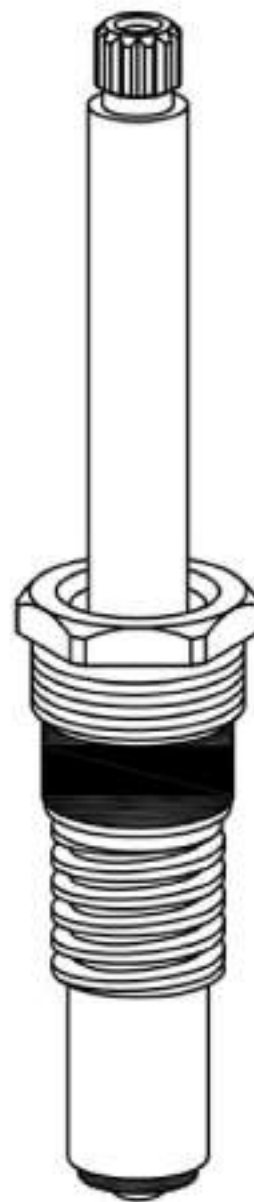
CRANE 4-3/4"  
DIVERTER

W60340



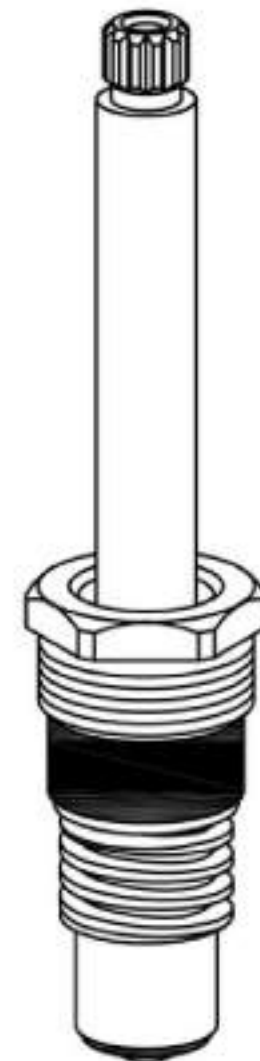
CENTRAL BRASS 5-13/32"  
HOT/COLD

W60344



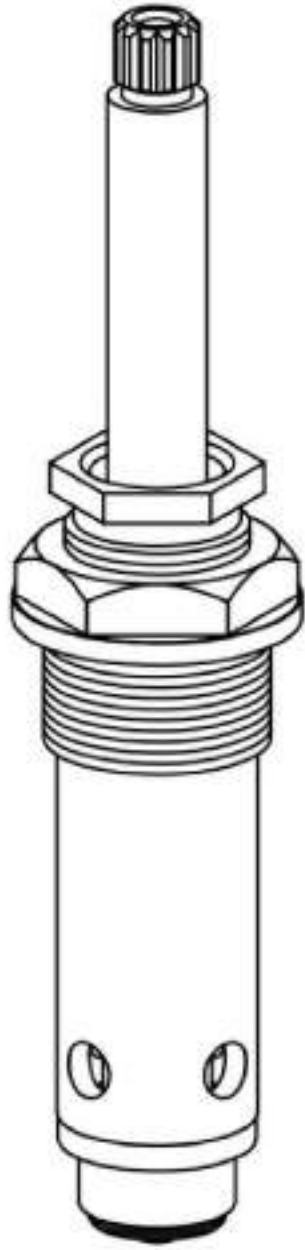
CRANE 5-3/8"  
HOT/COLD  
WITH C.P (1)

W60346



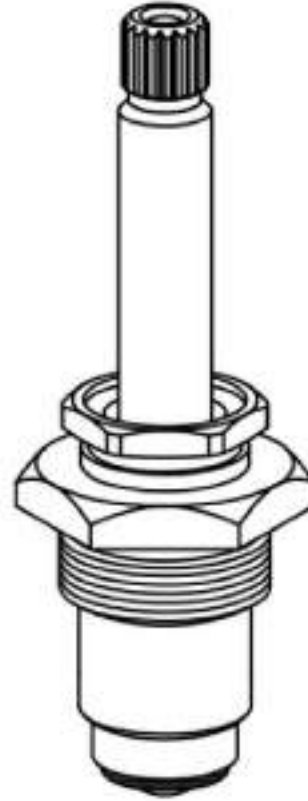
CRANE 4-3/4"  
COLD

W60349



CRANE 5-1/2"  
DIVERTER

W60520



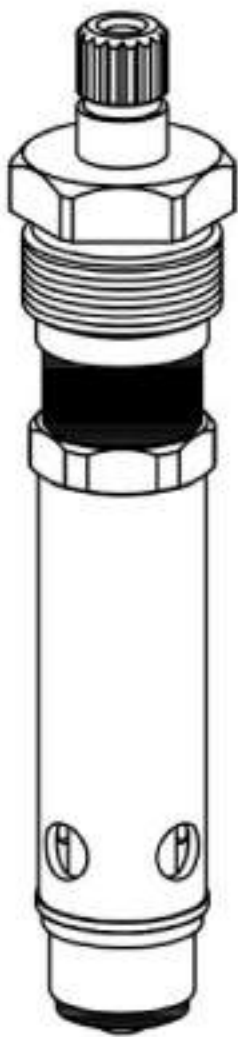
ELJER 3-1/2"  
HOT  
WITH C.P (1)

W60524



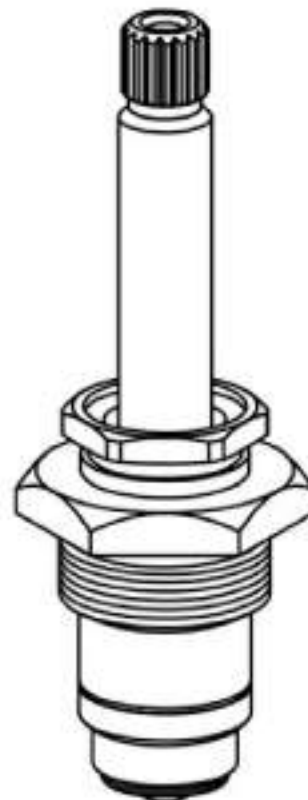
ELJER 4-21/32"  
HOT/COLD  
WITH C.P (2)

W60383



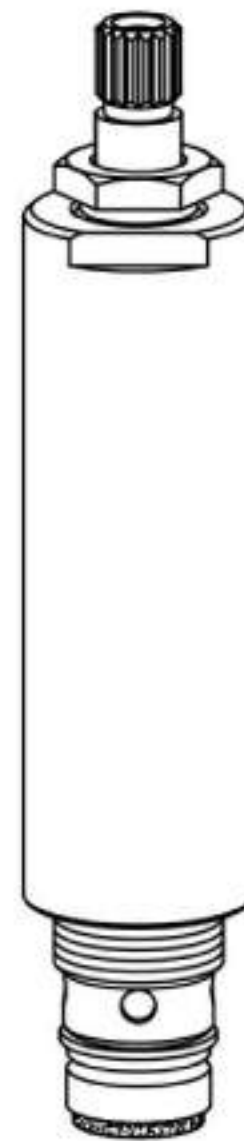
CUTHBERT & BELANGER  
4-9/16"  
DIVERTER

W60521



ELJER 3-1/2"  
COLD  
WITH C.P (1)

W60525

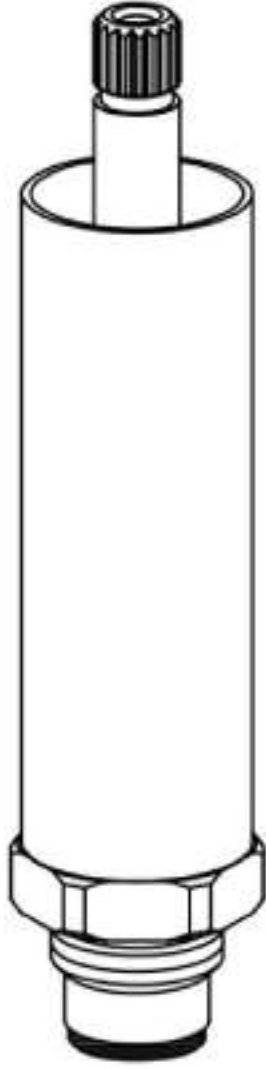


ELJER 5-1/16"  
DIVERTER  
WITH C.P (2)

W60526



16 PT.

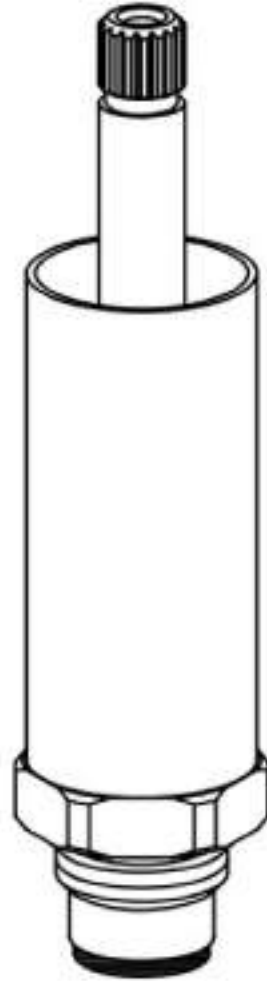


ELJER 4-21/32"  
HOT/COLD  
WITH C.P (SLEEVE)

W60528

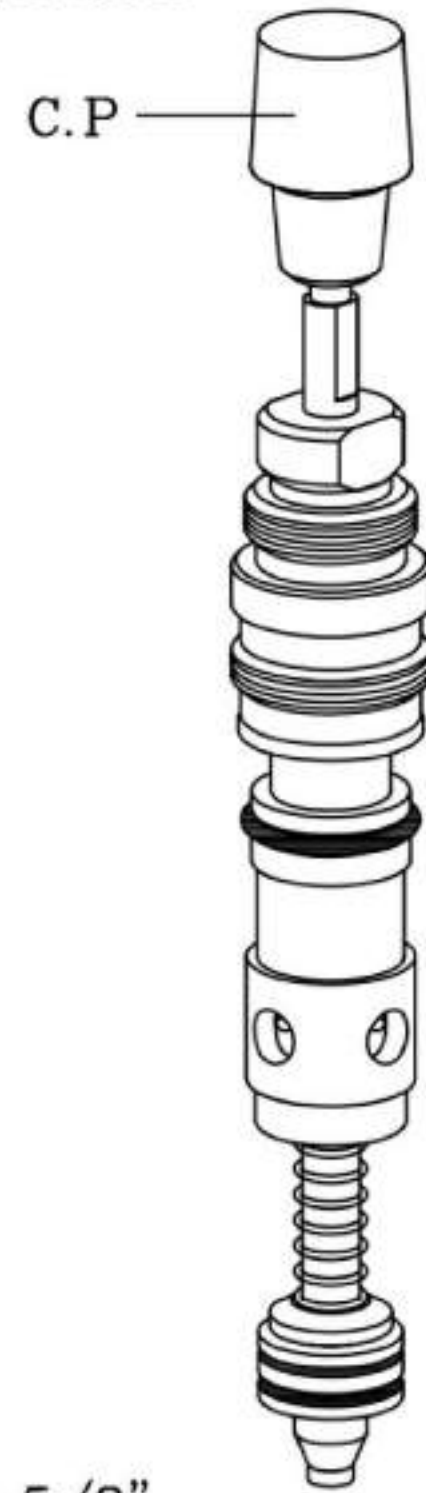


16 PT.



ELJER 4-11/32"  
HOT/COLD  
WITH C.P(SLEEVE)

W60530A

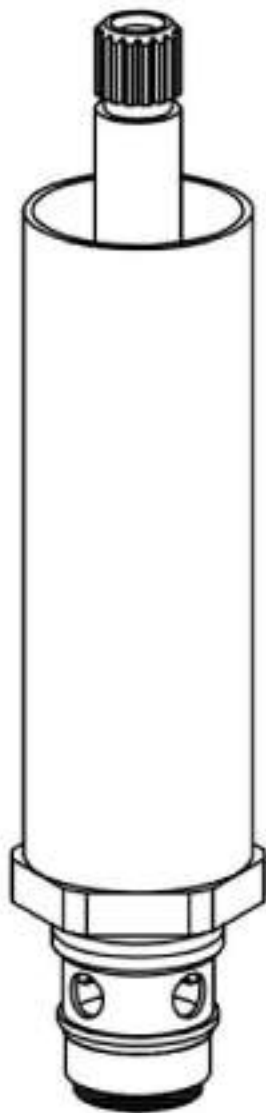


EMCO 6-5/8"  
DIVERTER

W60527



16 PT.

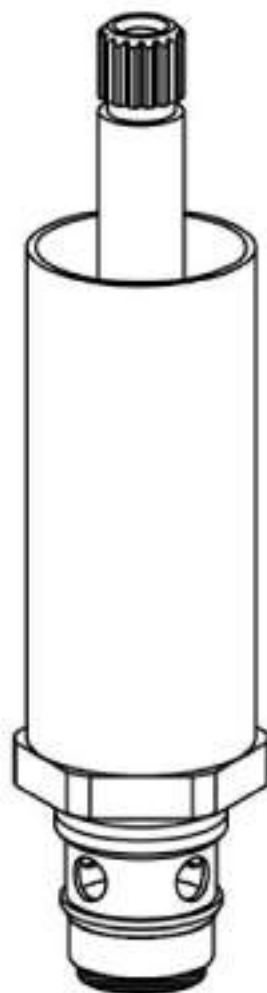


ELJER 5"  
DIVERTER  
WITH C.P (SLEEVE)

W60529



16 PT.



ELJER 4-11/16"  
DIVERTER  
WITH C.P(SLEEVE)

W60531

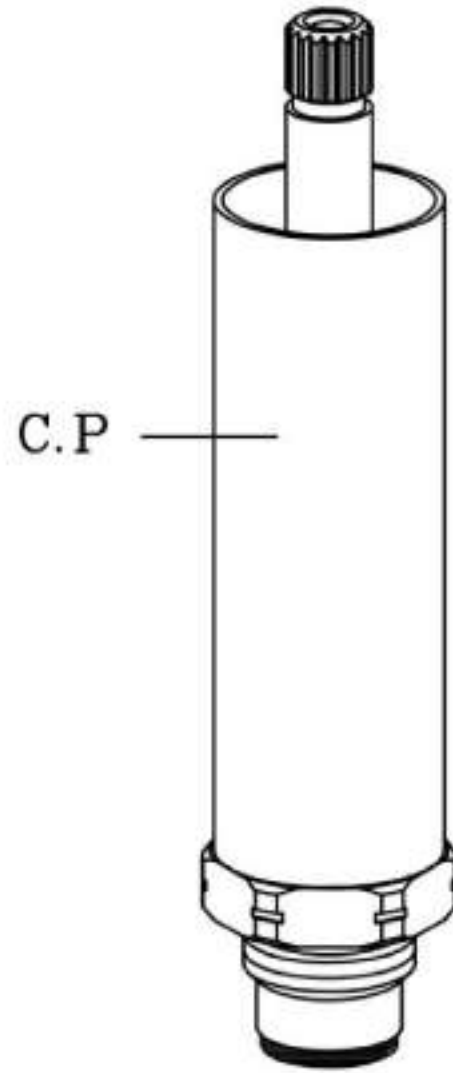


EMCO 3"  
DIVERTER

W60533



16 PT.

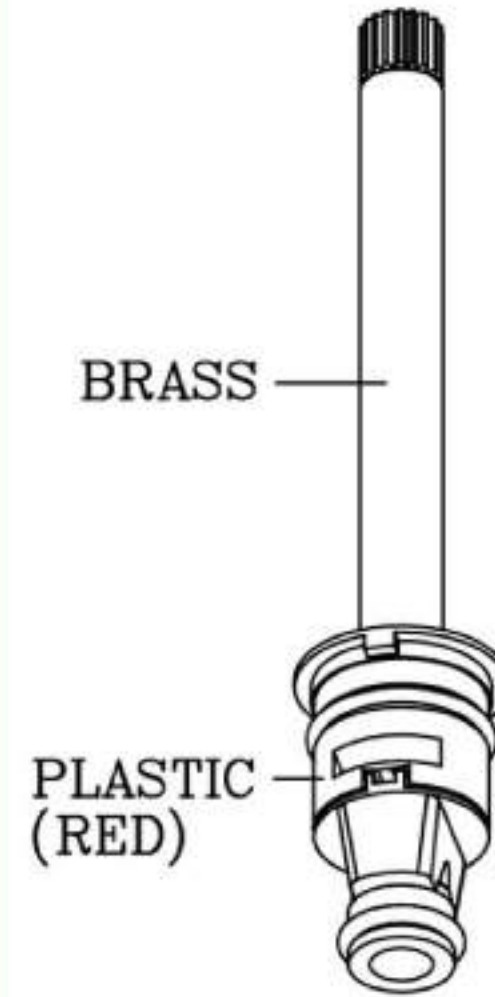


ELJER 4-21/32"  
COLD  
WITH C.P

W60564

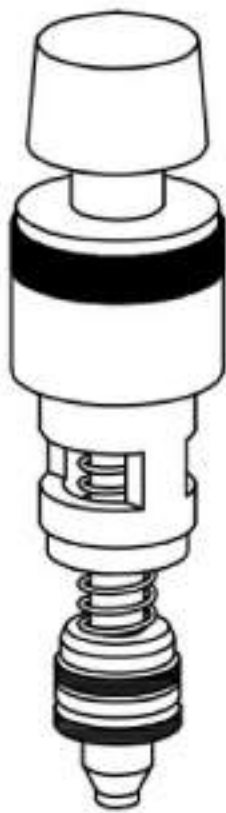


16 PT.



ELKAY  
HOT

W60532



EMCO  
DIVERTER  
WITH C.P (3,4)

W60551



16 PT.

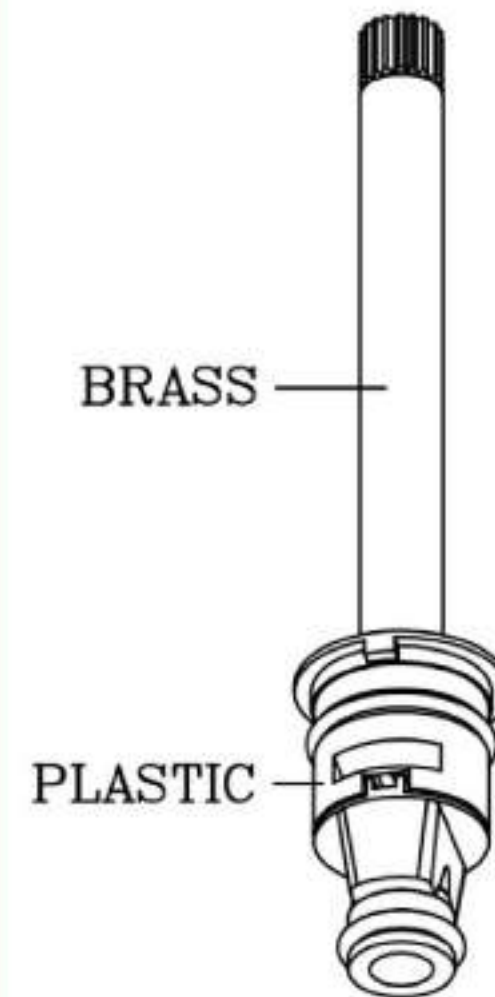


EMCO 4"  
DIVERTER

W60565



16 PT.

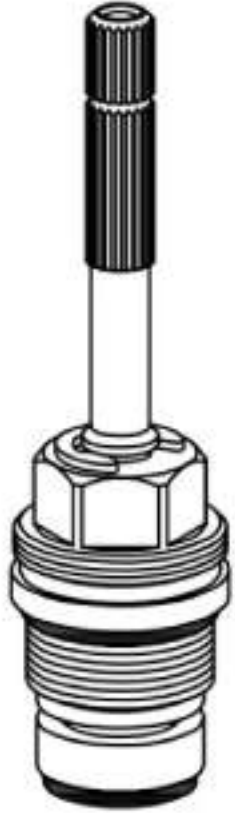


ELKAY  
COLD

W60701



20 PT.

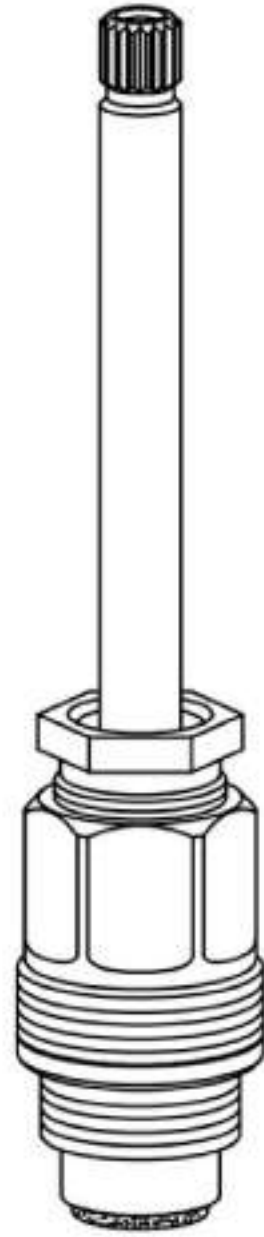


GROHE 3-1/2"  
HOT/COLD

W60778



16 PT.

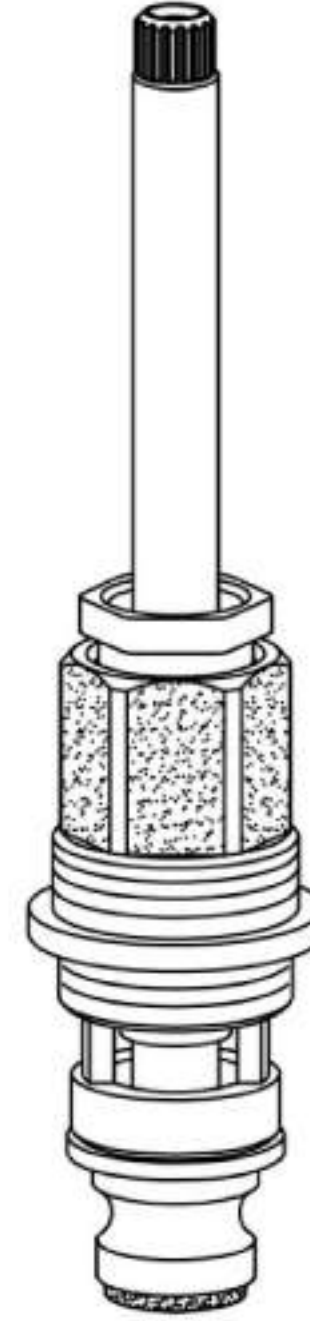


GERBER 5-1/4"  
HOT/COLD

W60779



16 PT.



GERBER 5-3/4"  
DIVERTER

W60711



16 PT.

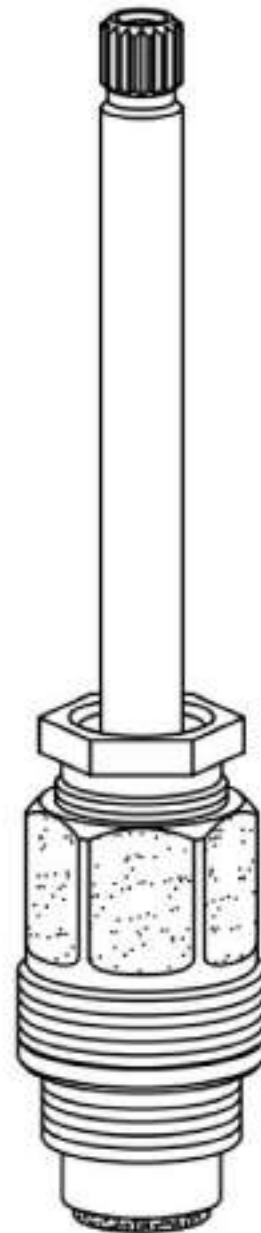


GALT  
HOT

W60778B



16 PT.



GERBER 5-1/4"  
HOT/COLD

W60831



12 PT.



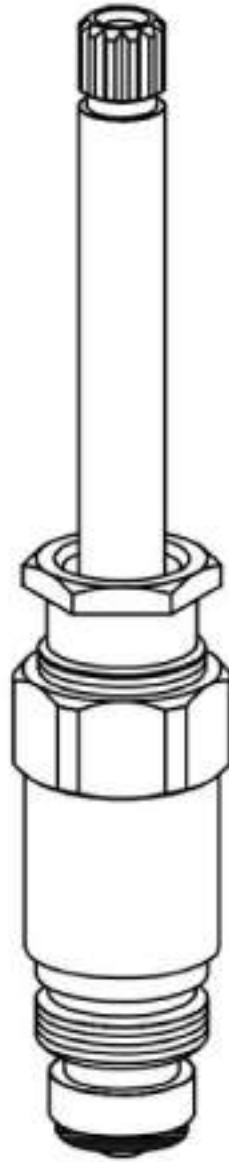
HARCRAFT 4-1/2"  
HOT/COLD

W60833



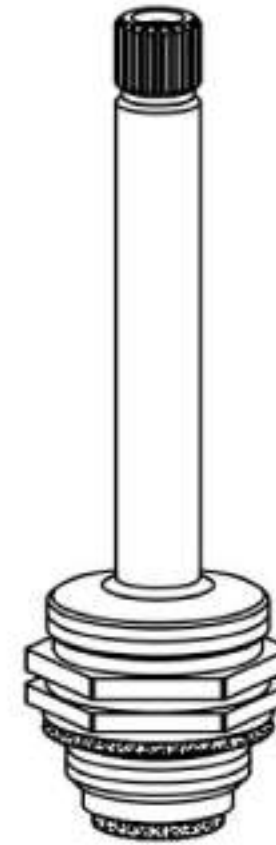
HARCRAFT 3-1/8"  
HOT/COLD

W60835



HARCRAFT 5-3/16"  
HOT/COLD  
WITH C.P (1)

W60912



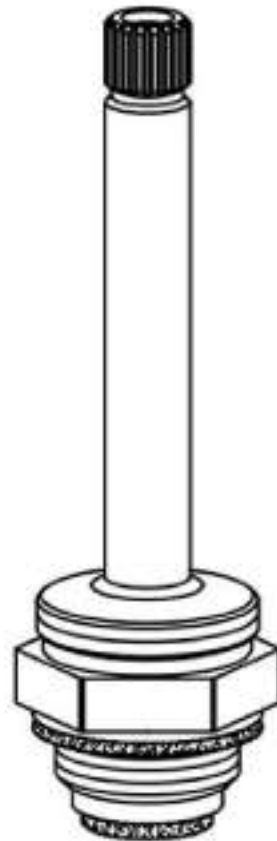
INDIANA 3-21/32"  
COLD

W60834



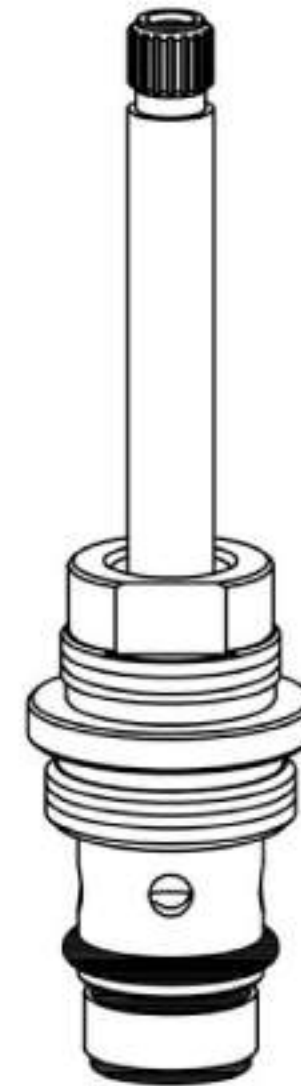
HARCRAFT 4-1/4"  
DIVERTER

W60911



INDIANA 3-21/32"  
HOT

W60913



INDIANA 4-3/4"  
DIVERTER

W60919



18 PT.

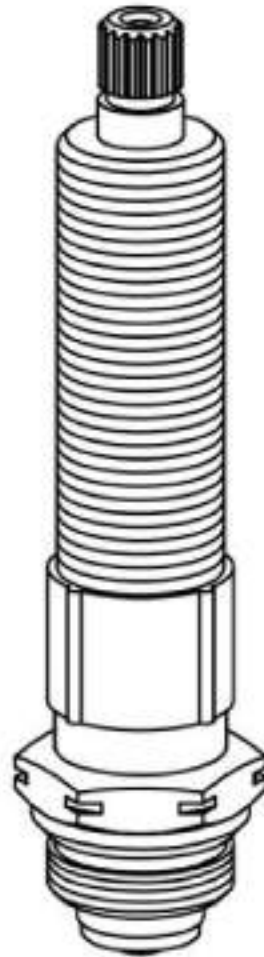


INDIANA BRASS 5-1/4"  
DIVERTER

W61101



16 PT.

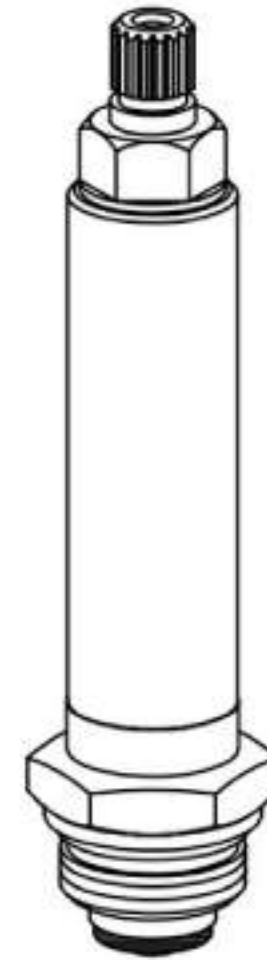


KOHLER 4-1/4"  
HOT/COLD

W61103



16 PT.



KOHLER 4-1/4"  
COLD  
WITH C.P (3)

W60920

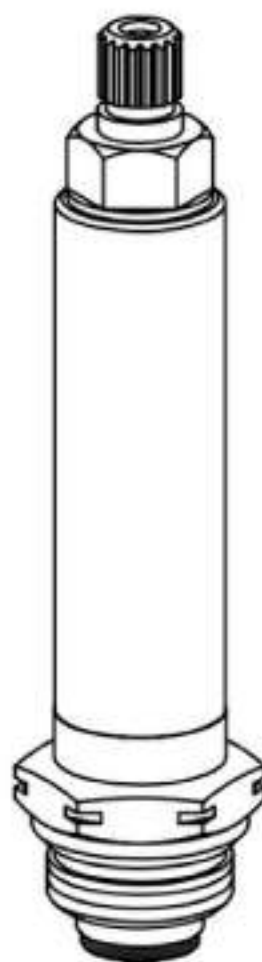


INVERSUER CUTHBERT  
HOT

W61102



16 PT.

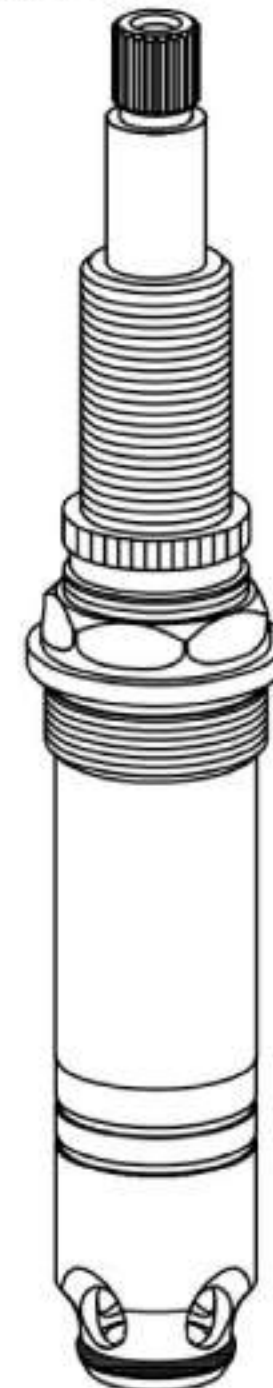


KOHLER 4-1/4"  
HOT  
WITH C.P (3)

W61104



19 PT.



KOHLER 6-1/8"  
HOT/COLD  
WITH C.P (1)

W61105



19 PT.

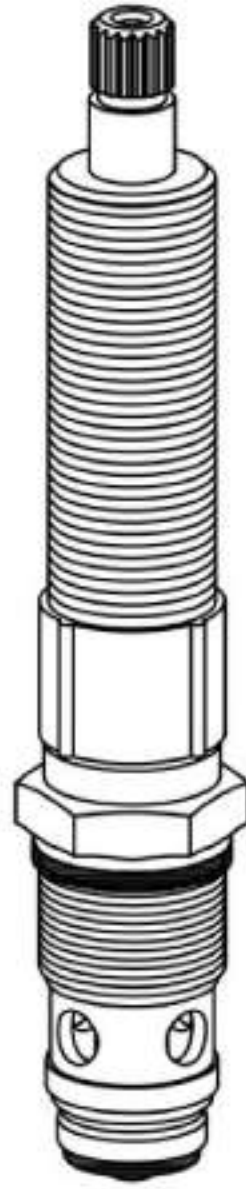


KOHLER 6"  
HOT/COLD  
WITH C.P (1)

W61112

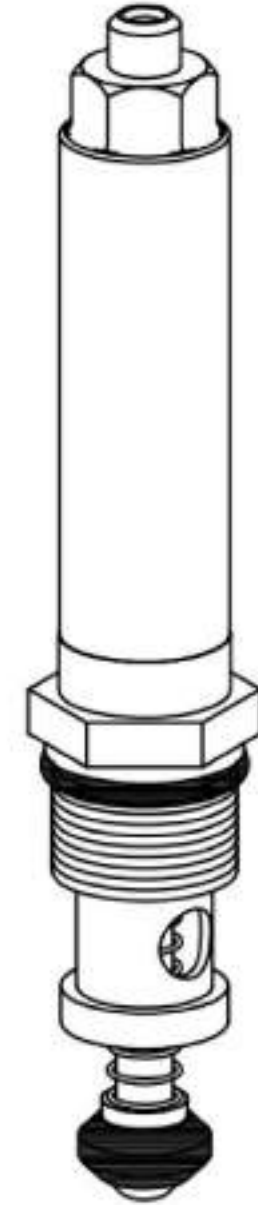


16 PT.



KOHLER 5-1/4"  
DIVERTER

W61114

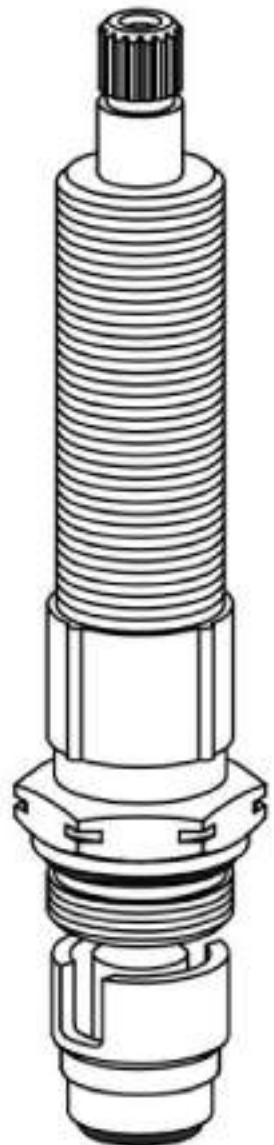


KOHLER 5-13/32"  
DIVERTER  
WITH C.P (3)

W61111



16 PT.

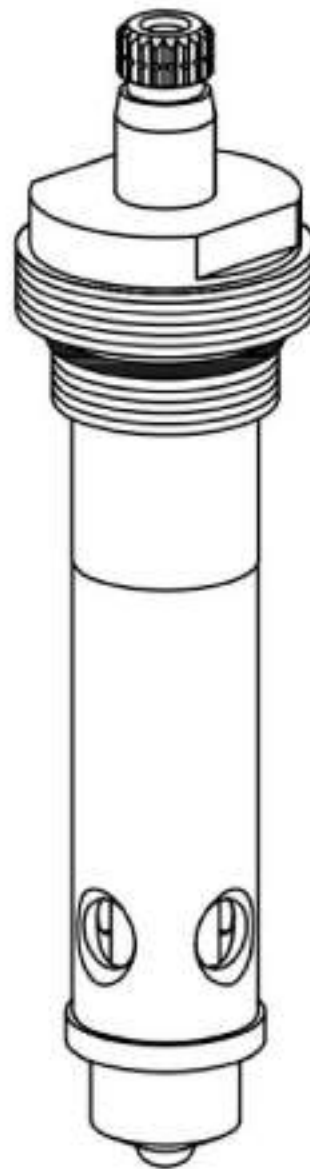


KOHLER 5"  
DIVERTER

W61113



19 PT.



KOHLER 5-1/8"  
DIVERTER  
WITH C.P (1)(2)

W61115



KOHLER 5-1/4"  
DIVERTER  
WITH C.P (2)



W61117



19 PT.

KOHLER 5-1/16"  
HOT  
WITH C.P (1)

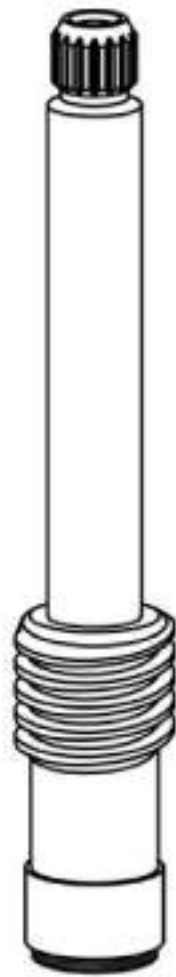
W61302



16 PT.

MUELLER 5-3/8"  
DIVERTER

W61301



16 PT.

MUELLER 4-5/16"  
HOT/COLD

W61303



PLASTIC

BRASS

MOEN 4-1/8"  
BRASS STEM

W61305



MOEN BRASS 4-1/8"

W61306

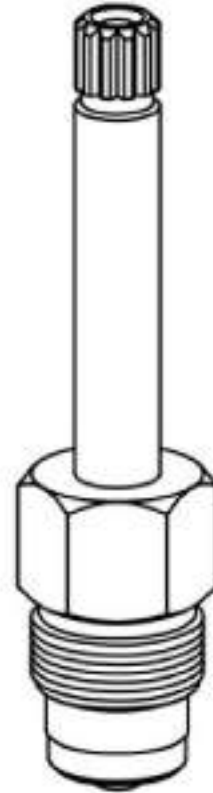


MOEN 4-1/8"  
HOT/COLD

W61324



12 PT.

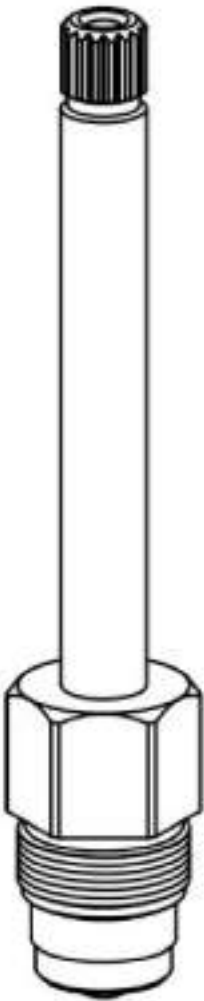


MILWAUKEE 3-1/2"  
HOT/COLD

W61323



16 PT.



MILWAUKEE 4-15/32"  
HOT/COLD

W61341



12 PT.



MICHGAN BRASS 4-29/32"  
DIVERTER  
WITH C.P (2)

W61348

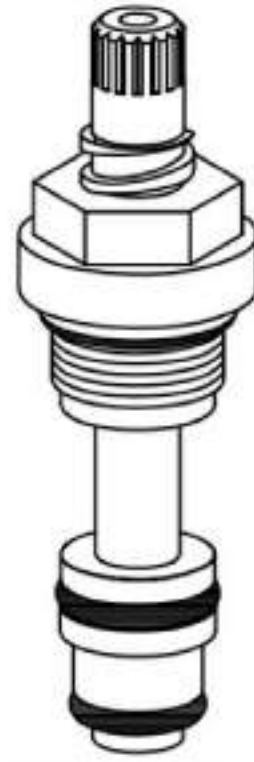


MIXET 4-1/2"  
HOT/COLD  
WITH C.P.(4)

W61351



17 PT.



PLASTIC

MIDCOR 4-11/32"  
HOT/COLD

W61349

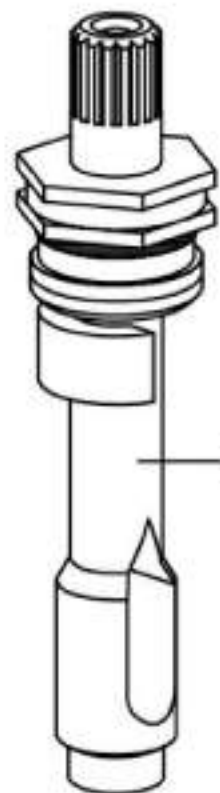


MIXET 6"  
HOT/COLD  
WITH C.P.(4)

W61611



17 PT.



PLASTIC

PHOENIX 3-1/2"  
DIVERTER

W61625



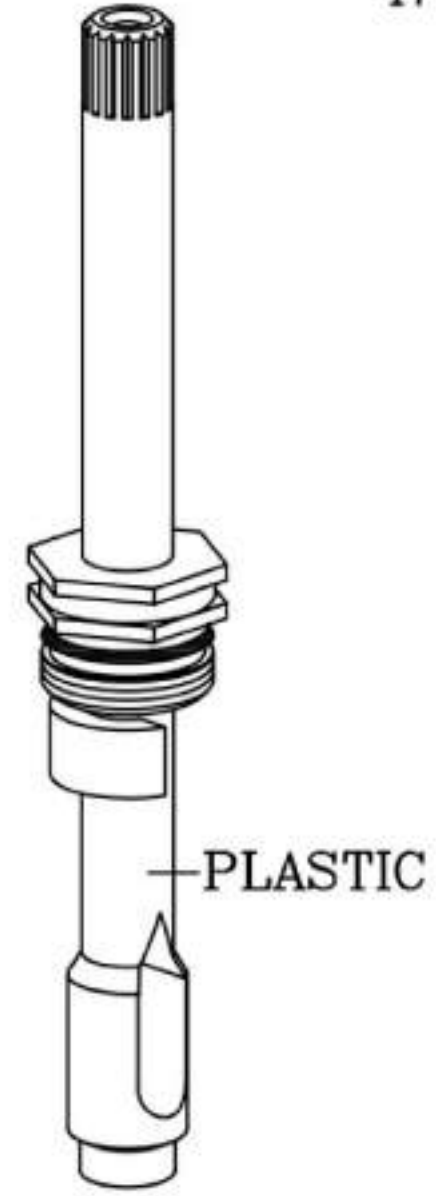
PRICE PFISTER 5-1/4"  
HOT  
WITH C.P (1)

W61627



PRICE PFISTER 4-5/8"  
HOT

W61643



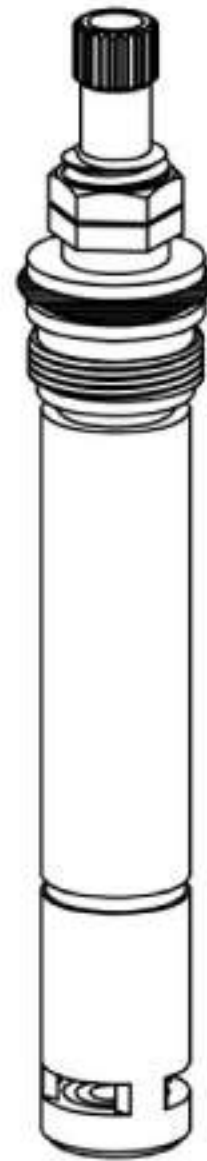
PHOENIX 5-5/16"  
DIVERTER

W61626



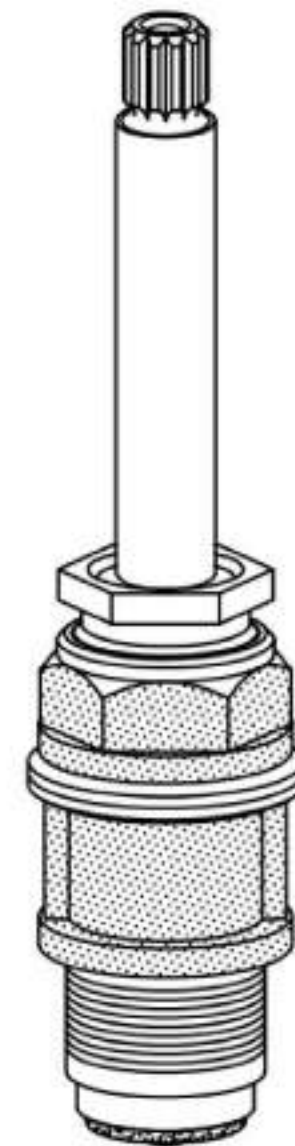
PRICE PFISTER 5-1/4"  
COLD  
WITH C.P (1)

W61628



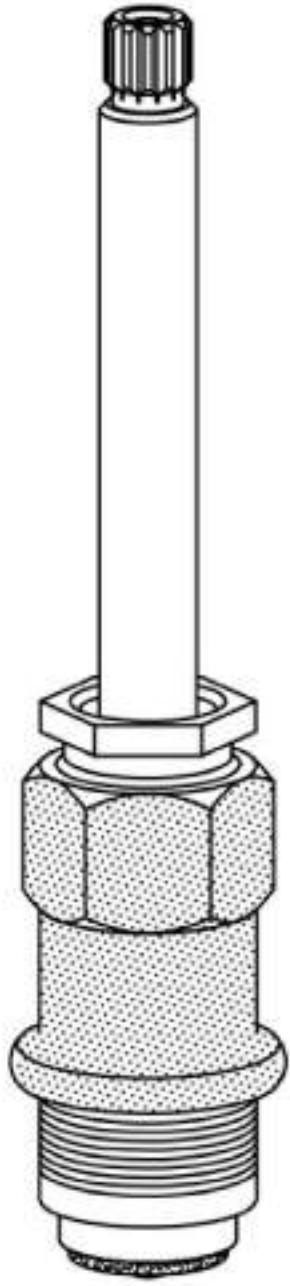
PRICE PFISTER 4-5/8"  
COLD

W61650



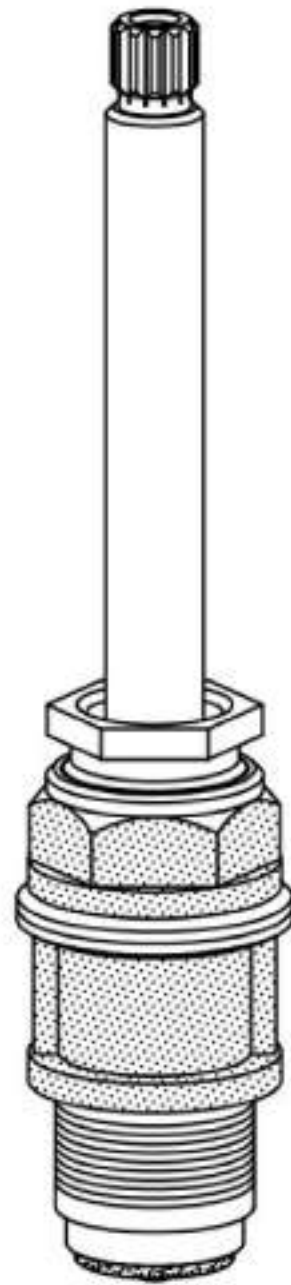
PRICE PFISTER 5"  
HOT/COLD  
WITH C.P (1)

W61651



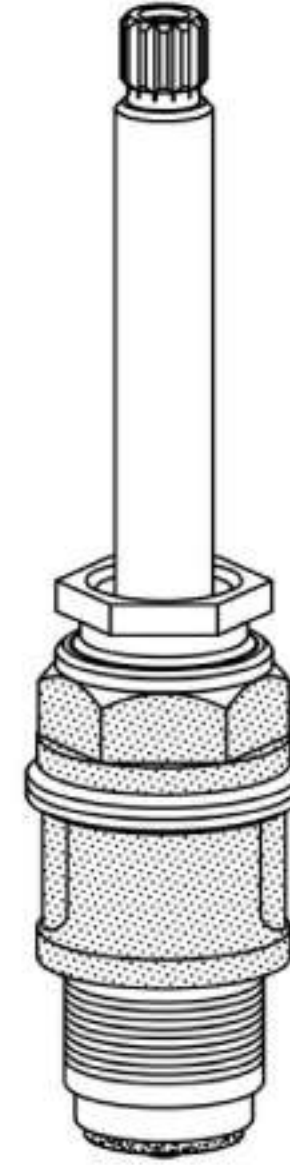
PRICE PFISTER 5-1/2"  
HOT/COLD

W61653



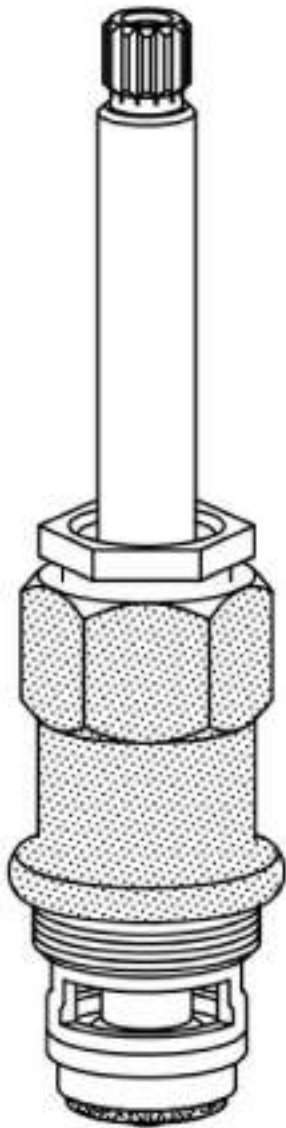
PRICE PFISTER 5-1/2"  
HOT/COLD

W61655



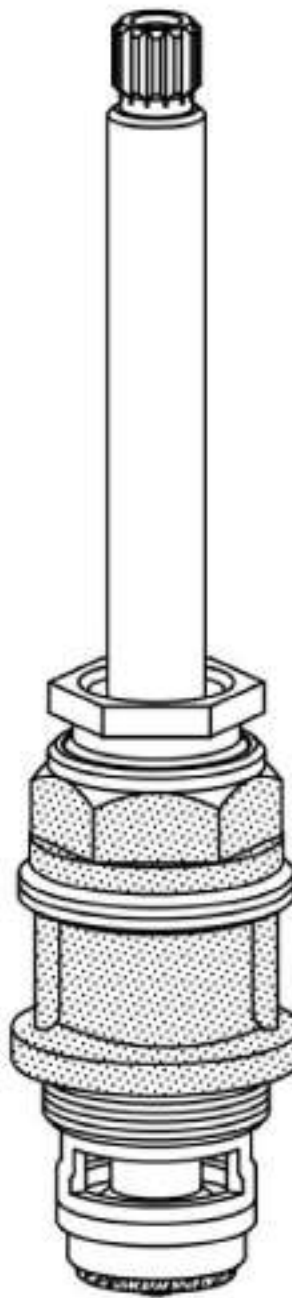
PRICE PFISTER 4-1/4"  
HOT/COLD

W61652



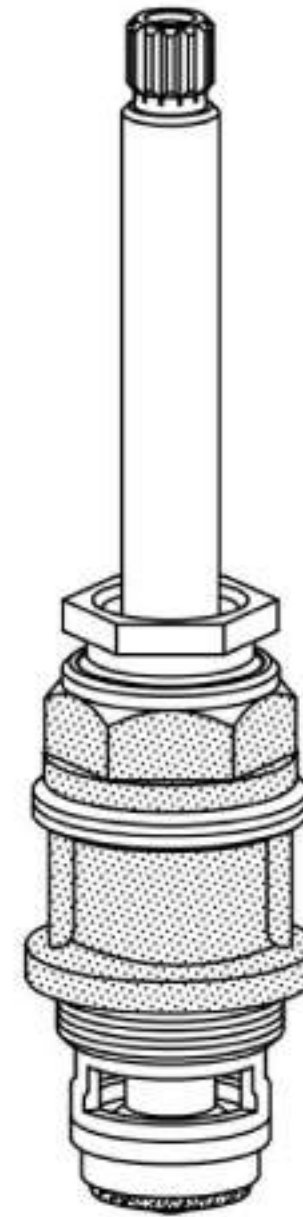
PRICE PFISTER 5-1/2"  
DIVERTER

W61654



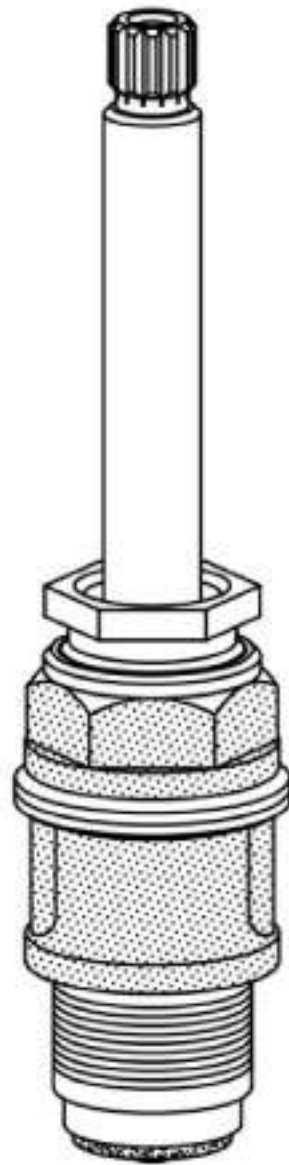
PRICE PFISTER 5-1/2"  
DIVERTER

W61656



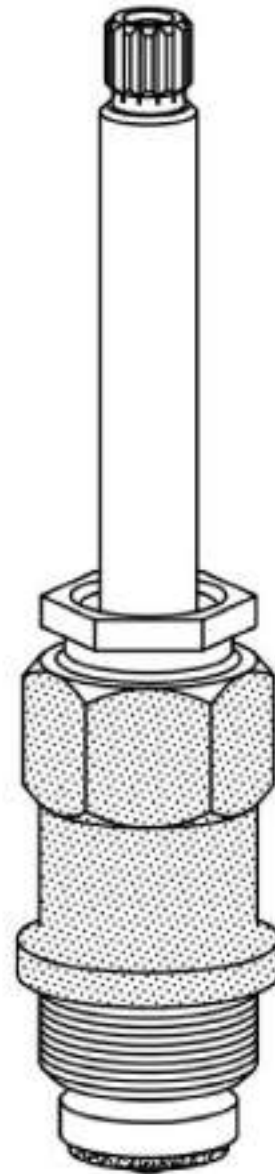
PRICE PFISTER 4-1/4"  
DIVERTER

W61657



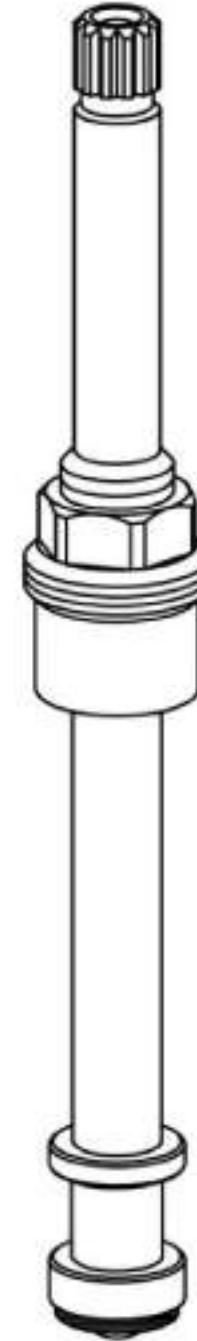
PRICE PFISTER 4-1/4"  
COLD

W61659



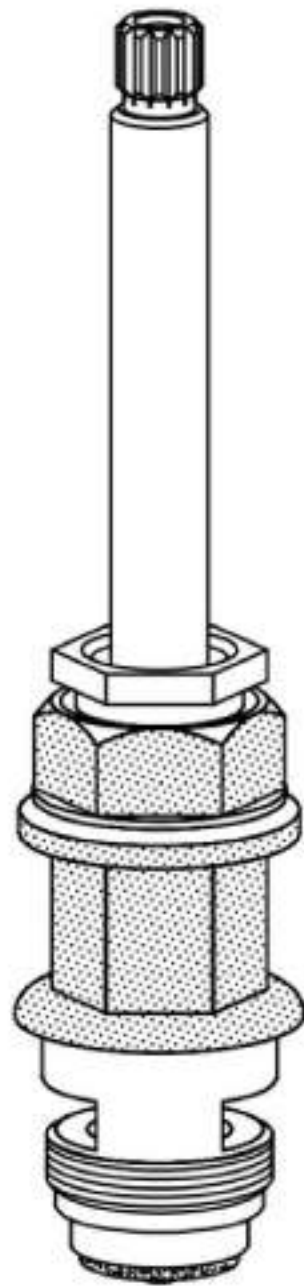
PRICE PFISTER 5"  
HOT/COLD  
WITH C.P (1)

W61661



PRICE PFISTER 6"  
HOT/COLD

W61658



PRICE PFISTER 5"  
DIVERTER  
WITH C.P (1)

W61660



PRICE PFISTER 4-5/8"

W61662



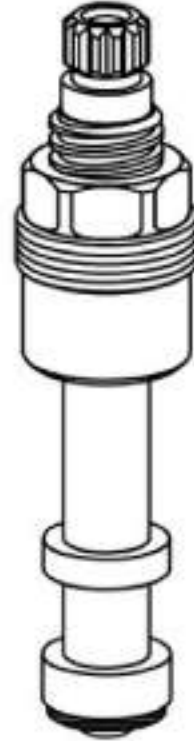
PRICE PFISTER 5"  
HOT/COLD  
WITH C.P (1)

W61665



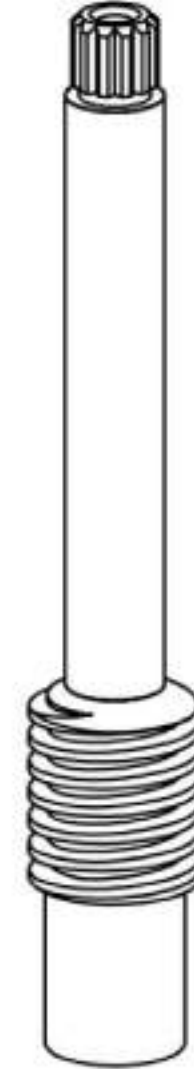
PRICE PFISTER 2-13/16"  
HOT

W61667



PRICE PFISTER 3-1/4"  
HOT

W61801



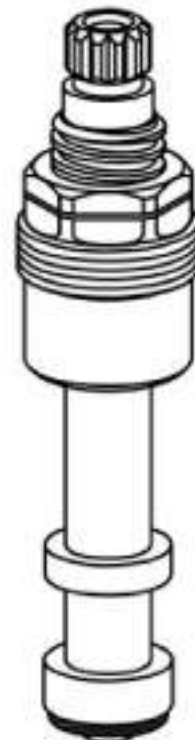
REPCAL 4-27/32"  
HOT/COLD

W61666



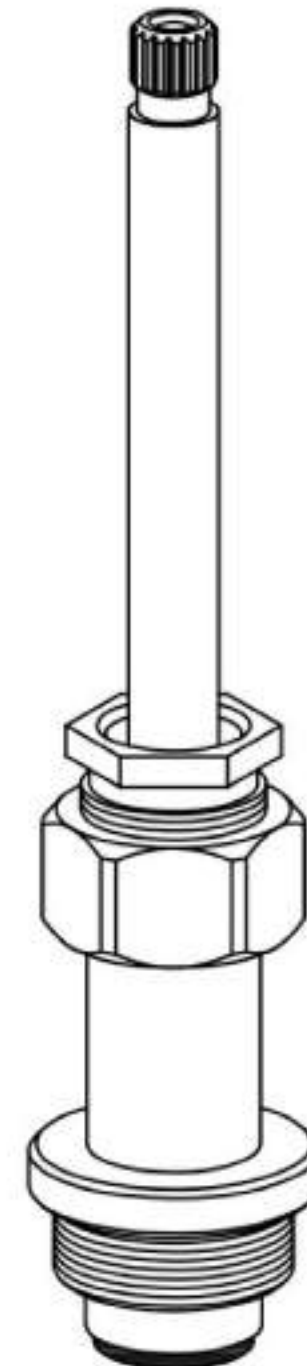
PRICE PFISTER 2-13/16"  
COLD

W61668



PRICE PFISTER 3-1/4"  
COLD

W61802

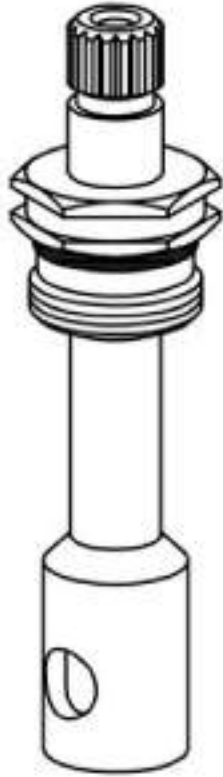


ROYAL BRASS 6-1/8"  
HOT/COLD

W61910



17 PT.

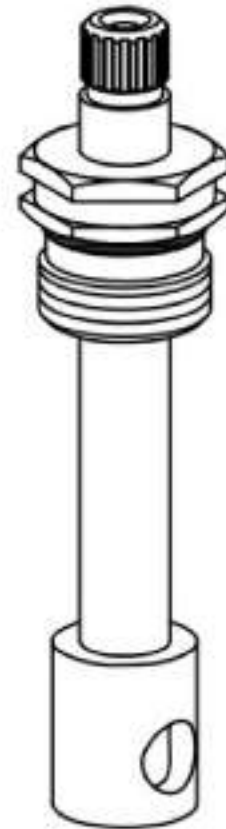


STREAMWAY 3-1/16"  
DIVERTER  
WITH C.P (2)

W61913



17 PT.

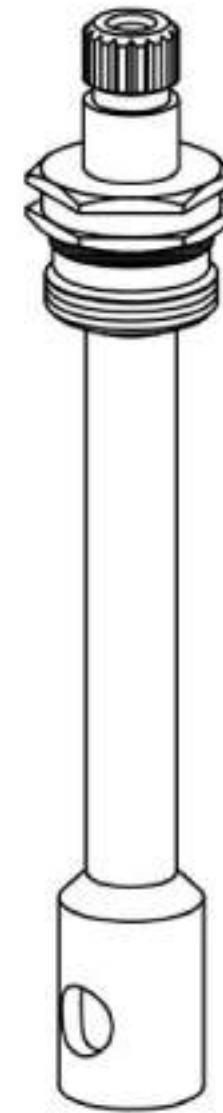


STREAMWAY 3-1/2"  
DIVERTER  
WITH C.P (2)

W61915



17 PT.

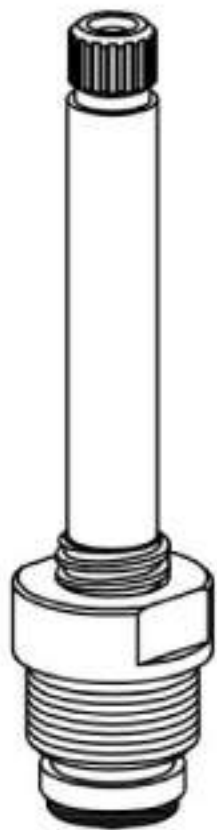


STREAMWAY 4-7/8"  
HOT/COLD

W61911



17 PT.

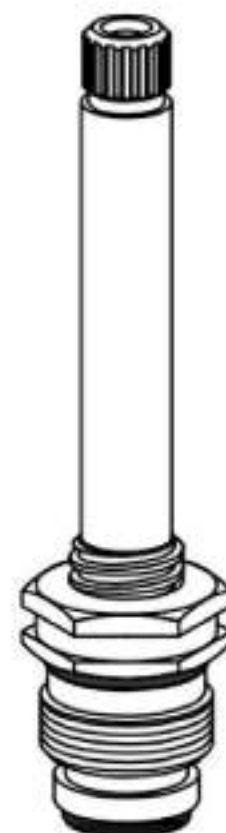


STREAMWAY 3-5/8"  
HOT/COLD

W61914



17 PT.

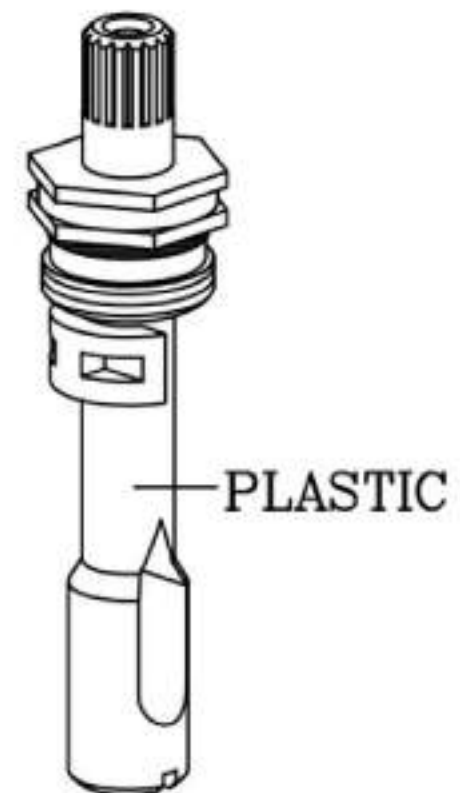


STREAMWAY 3-5/8"  
HOT/COLD

W61916



17 PT.



STREAMWAY 3-1/2"  
DIVERTER



W61941



20 PT.



W61943



20 PT.



W61945



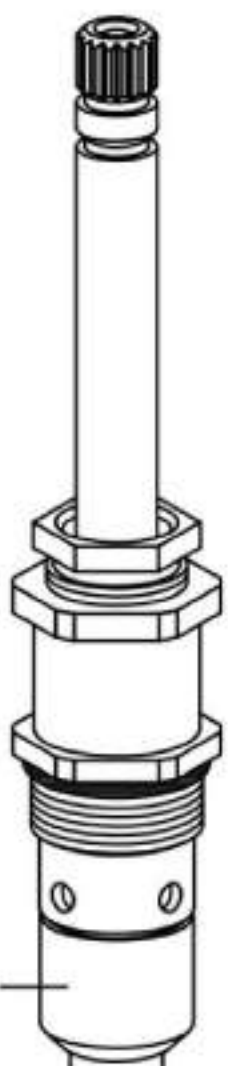
4 PT.



W61949



16 PT.

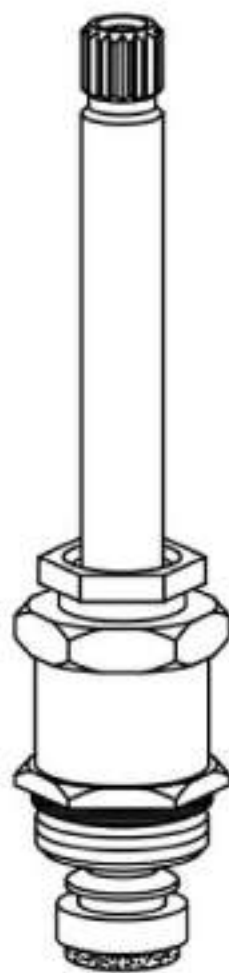


PLASTIC

W61951



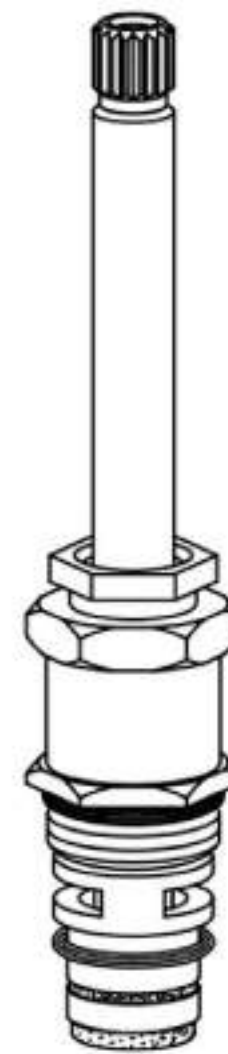
16 PT.

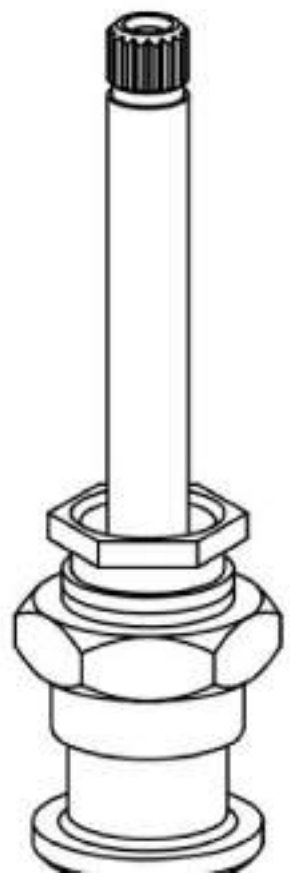


W61953



16 PT.

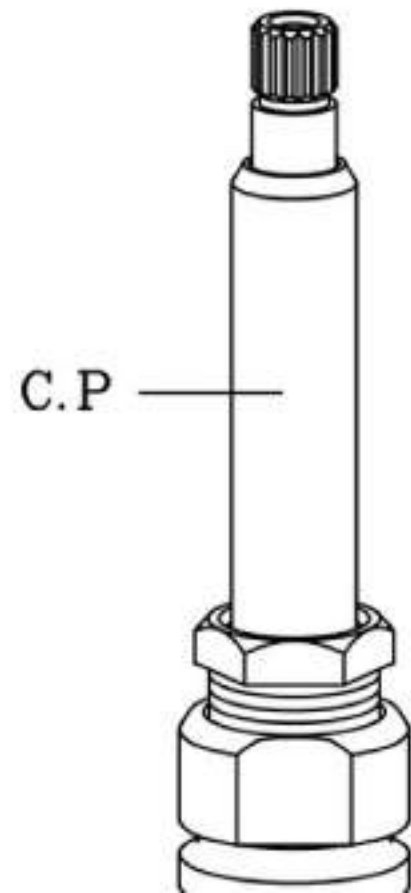




W61957



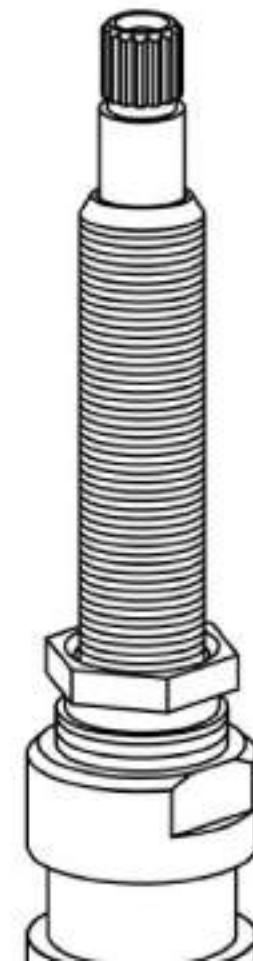
16 PT.



W61961



15 PT.



W61963

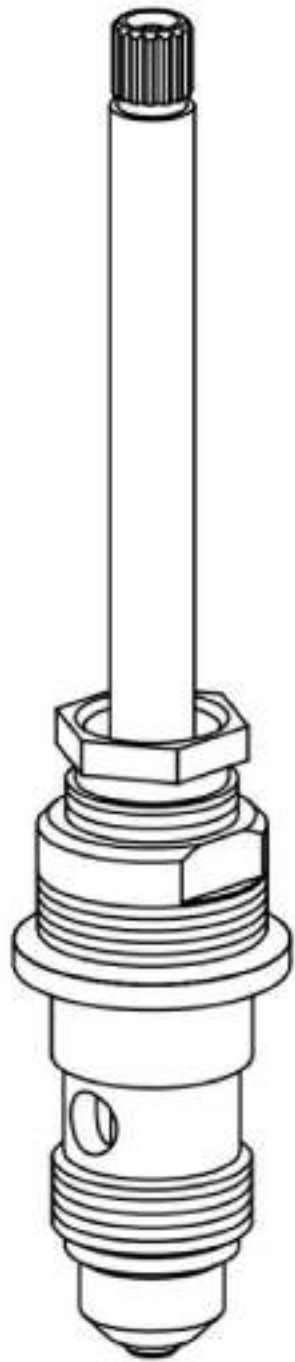


15 PT.

W61963X



15 PT.



SAVOY 6-1/8"  
DIVERTER

W61965



15 PT.

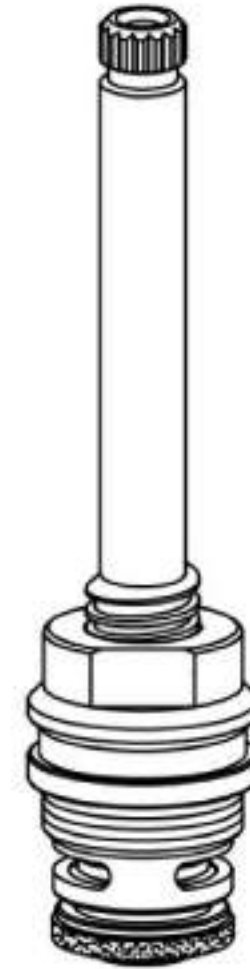


SAVOY 3-5/8"  
HOT  
WITH C.P (1)

W61967



15 PT.

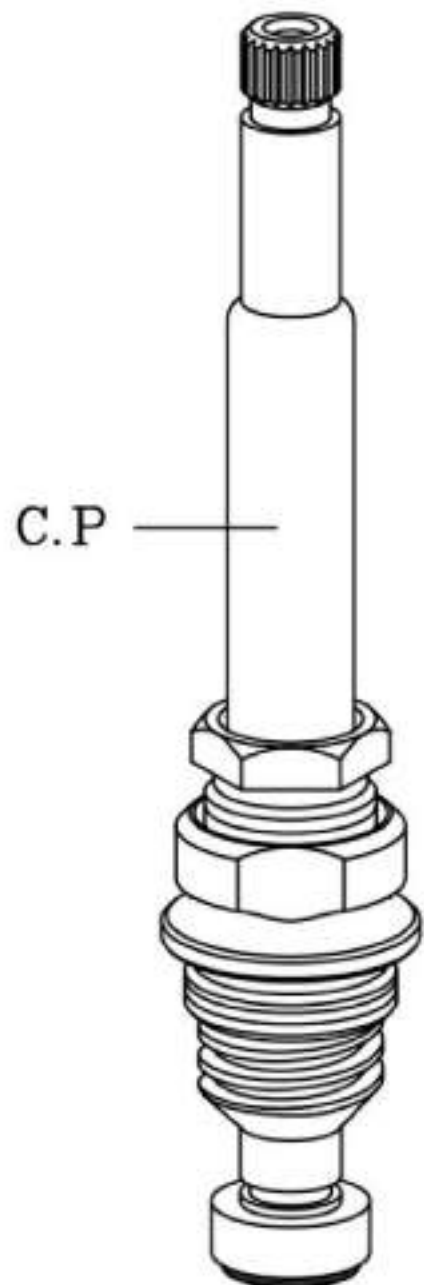


SAVOY 4-1/8'  
HOT/COLD

W61964



20 PT.



SAVOY 5-3/4"  
HOT/COLD  
WITH C.P (1)

W61966



15 PT.

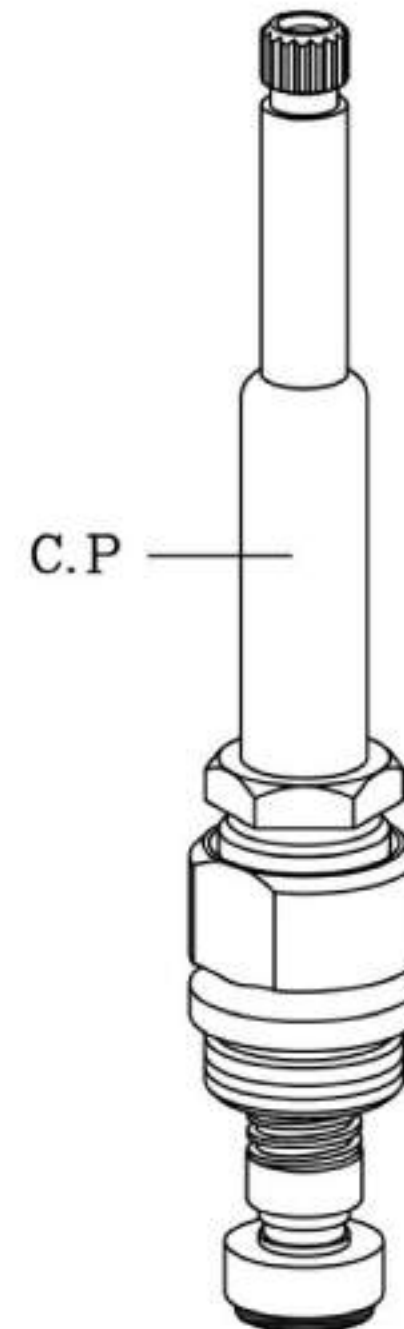


SAVOY 3-5/8"  
COLD  
WITH C.P (1)

W61968



15 PT.

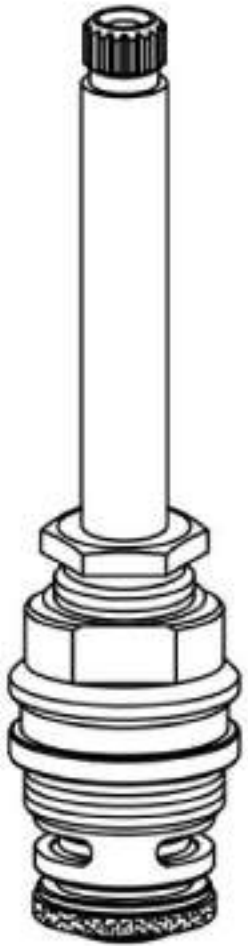


SAVOY 5-13/16"  
HOT/COLD  
WITH C.P (1)

W61969



15 PT.



SAVOY 4-3/8"  
DIVERETER

W61971



15 PT.

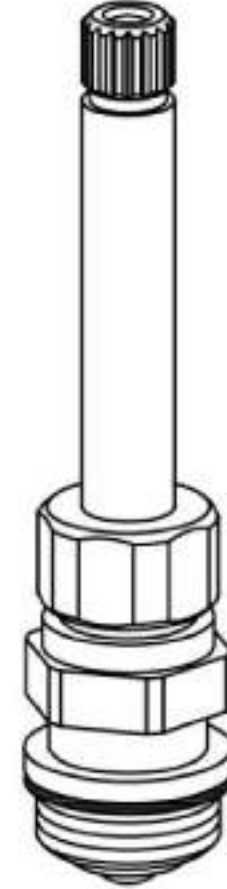


SAVOY 4"  
HOT/COLD

W61980



16 PT.

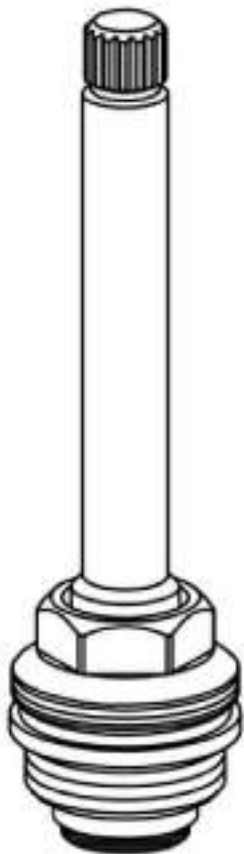


STERLING 3-7/8"  
HOT/COLD

W61970



15 PT.

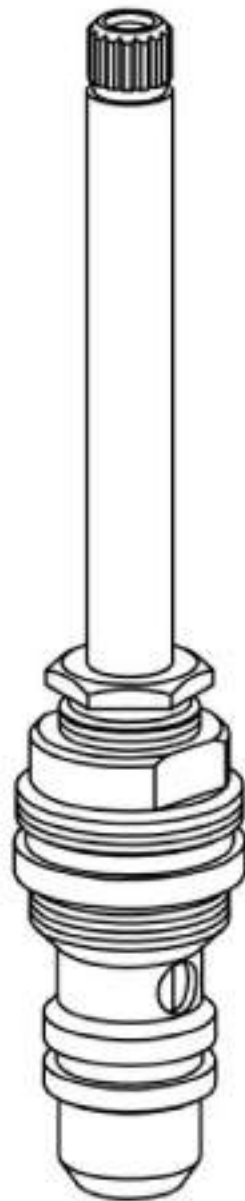


SAVOY 3-13/16"  
HOT/COLD

W61972



15 PT.

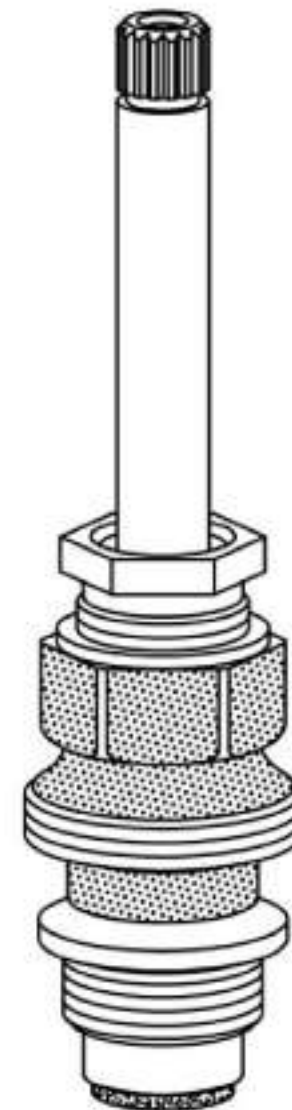


SAVOY 5-5/16"  
DIVERTER

W61981



16 PT.

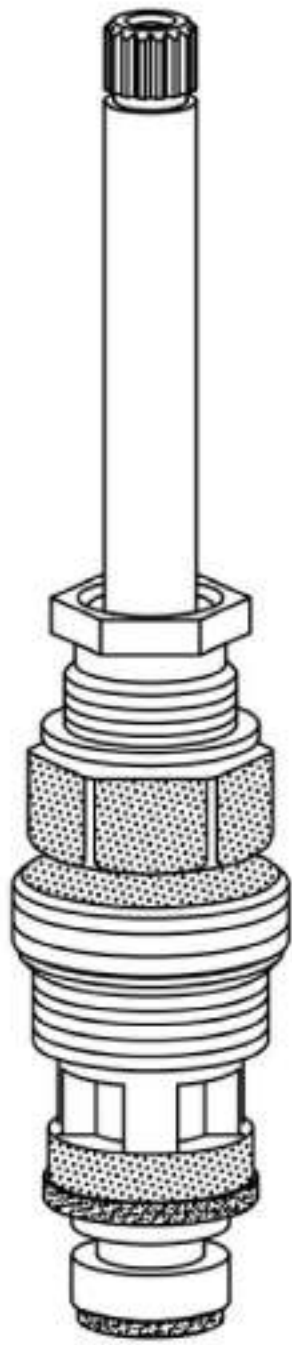


STERLING 4-11/16"  
HOT/COLD

W61982



16 PT.

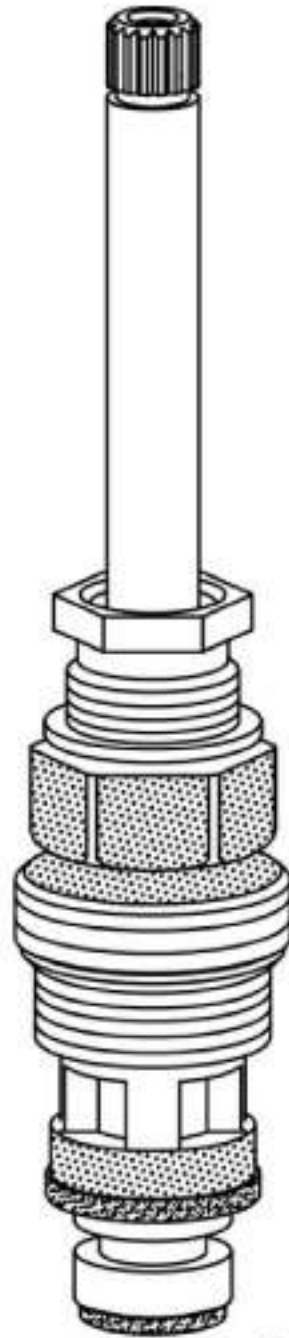


STERLING 4-5/8"  
DIVERTER

W61984



16 PT.

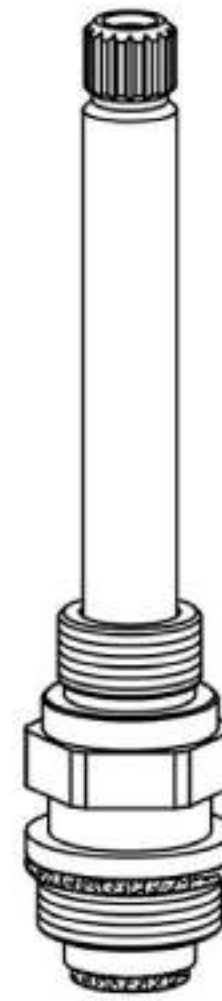


STERLING 5-5/8"  
DIVERTER  
WITH C.P(1)

W61986



16 PT.

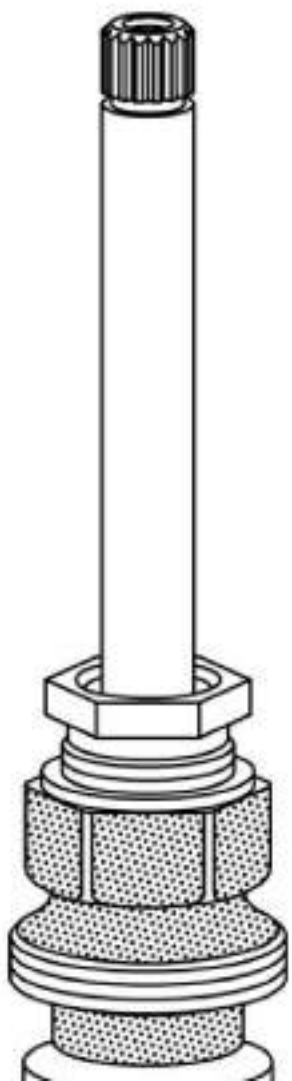


STERLING 4-3/8"  
HOT/COLD

W61983



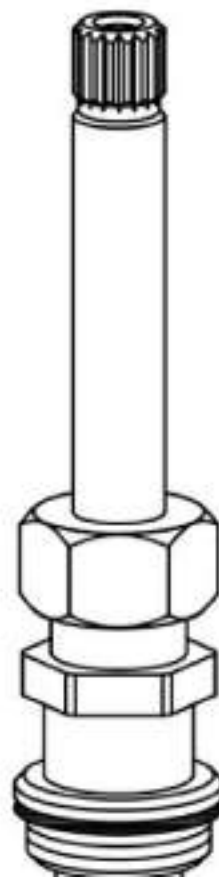
16 PT.



W61985



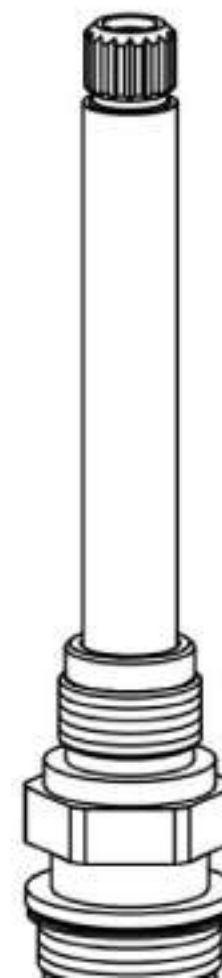
16 PT.



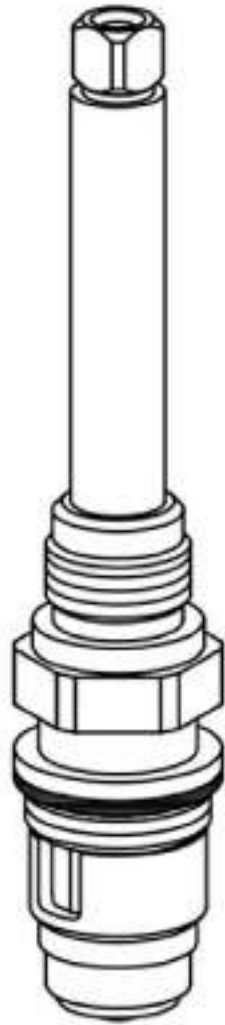
W61987



16 PT.

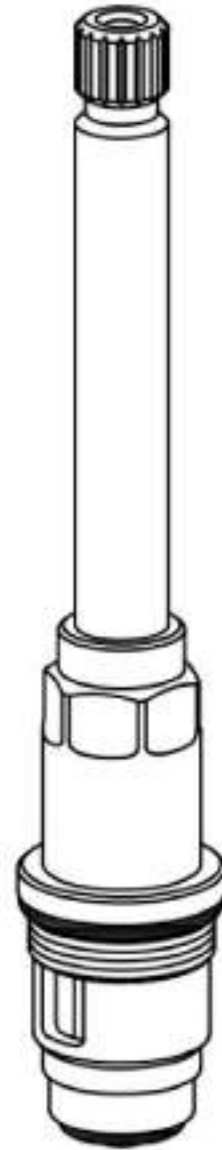


W61989



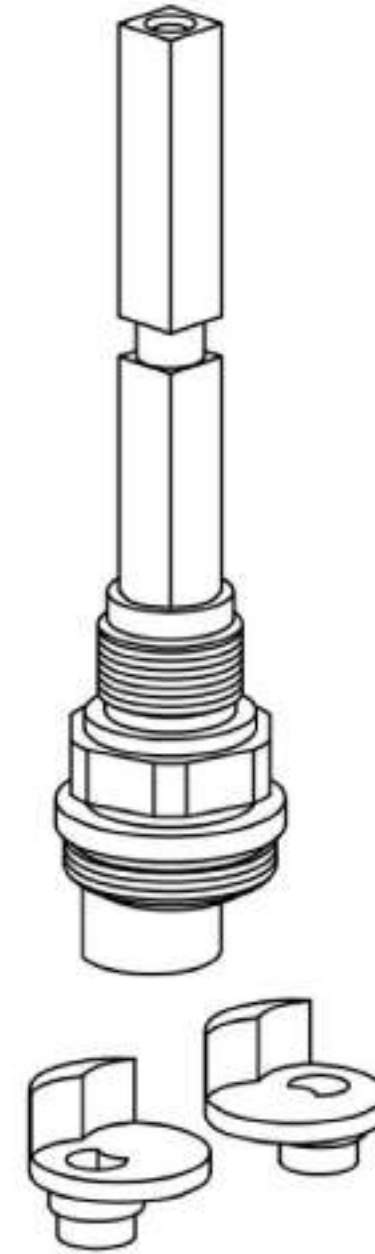
STERLING 5"  
DIVERTER

W61991



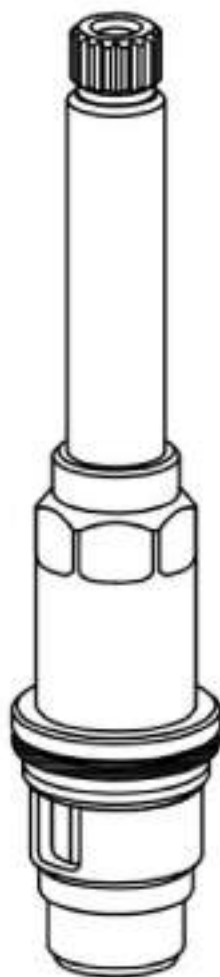
STERLING 5"  
DIVERTER

W61994



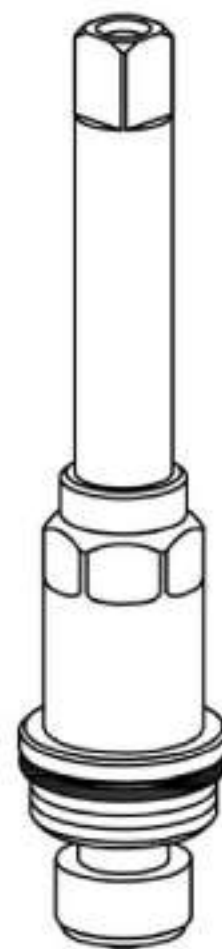
STERLING 4-1/4"  
HOT/COLD

W61990



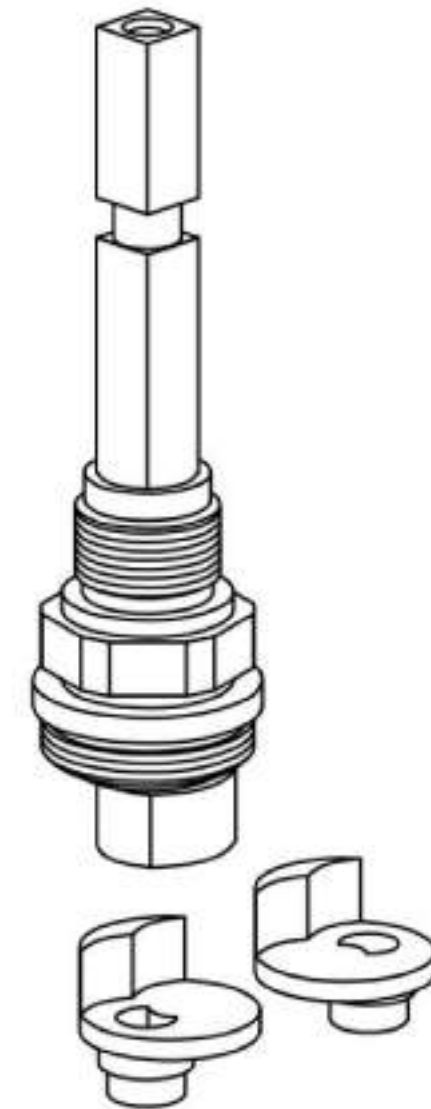
STERLING 4-1/2"  
DIVERTER

W61992



STERLING 4"  
HOT/COLD

W61995



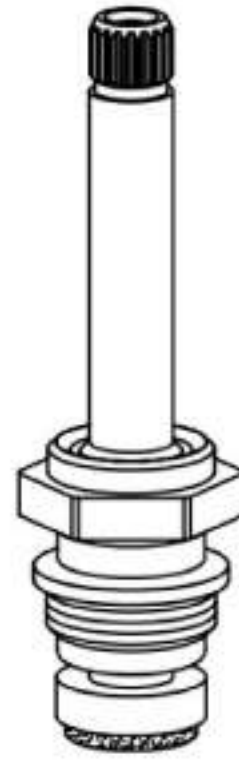
STERLING 3-23/32"  
HOT/COLD

W61996



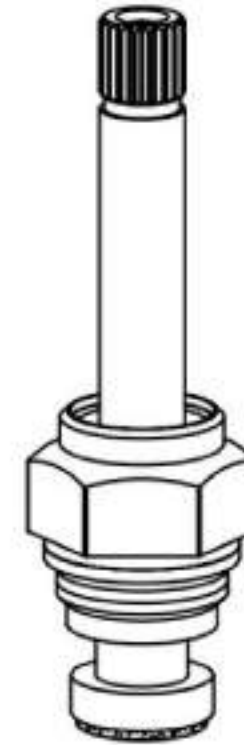
STERLING  
HOT/COLD

W62110



UNION 3-1/4"  
HOT

W62112



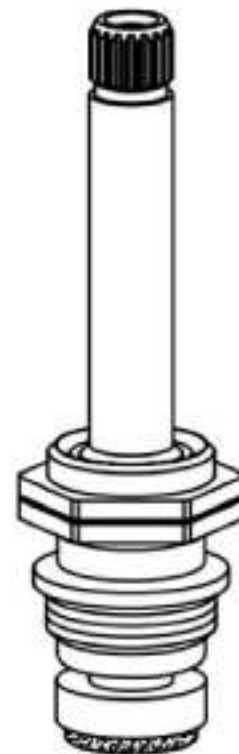
UNION 3-1/4"  
HOT

W61997



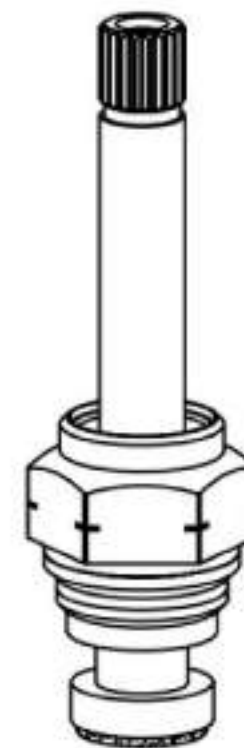
SCOVILL  
HOT C.P (1)

W62111



UNION 3-1/4"  
COLD

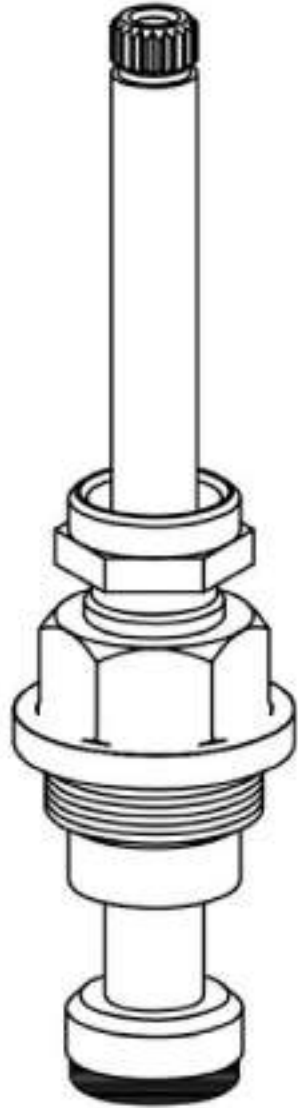
W62113



UNION 3-1/4"  
COLD



W62114



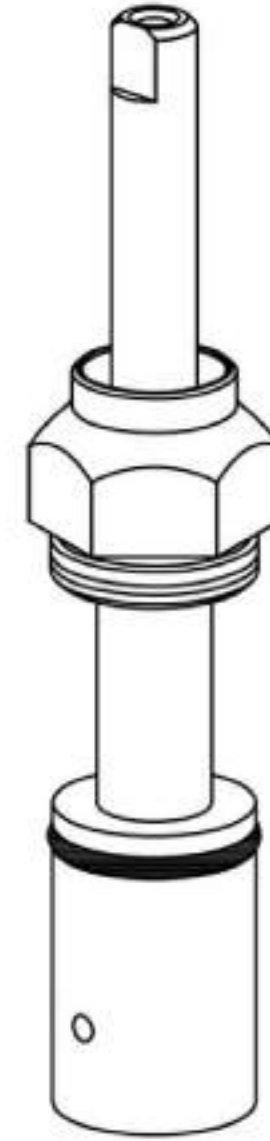
UNION 4-29/32"  
HOT/COLD

W62117



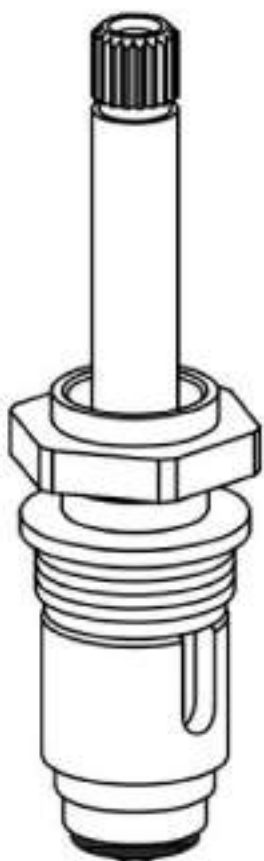
UNION BRASS 4-5/8"  
DIVERTER

W62119



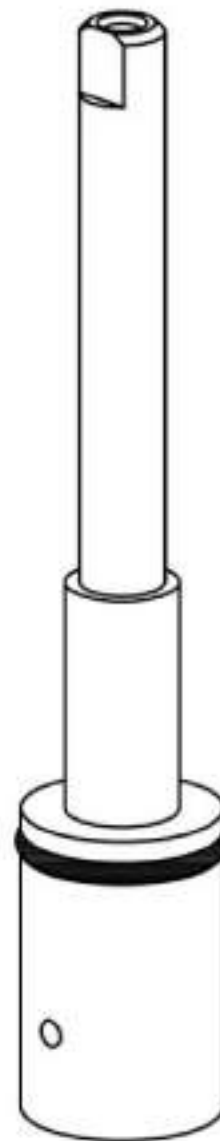
UNION BRASS 4-3/4"  
DIVERTER

W62116



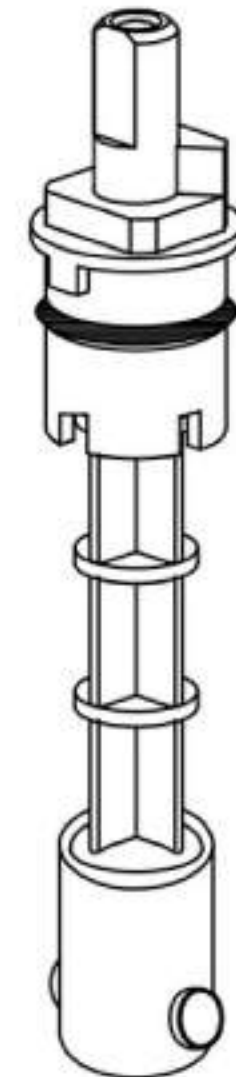
UNION 3-3/4"  
DIVERTER

W62118



UNION BRASS 4-3/4"  
DIVERTER

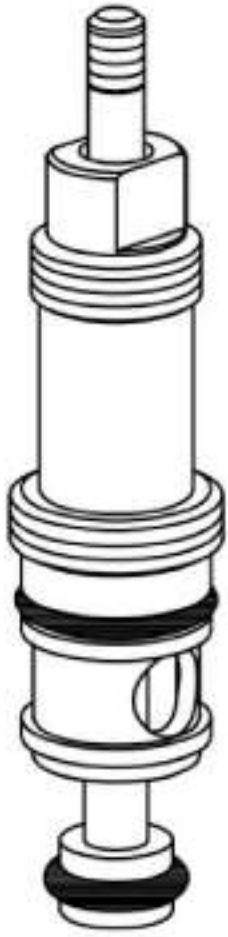
W62205



PLASTIC

VALLEY 4-3/4"  
DIVERTER

W62211

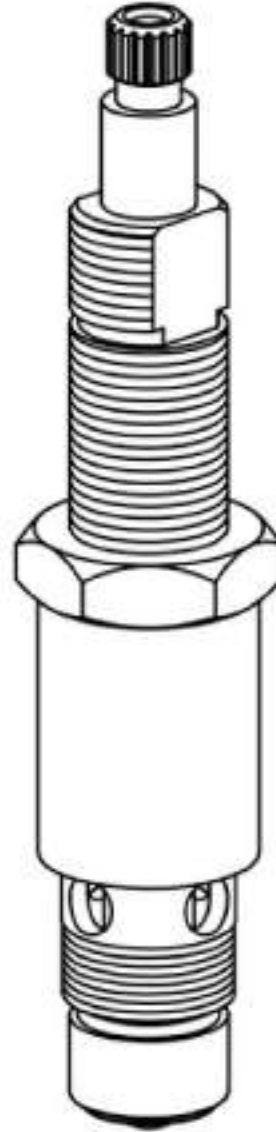


WALTEC 4-1/8"  
WITH C.P

W62214



16 PT.



WALLACEBURG 5"  
DIVERTER

W62341



12 PT.

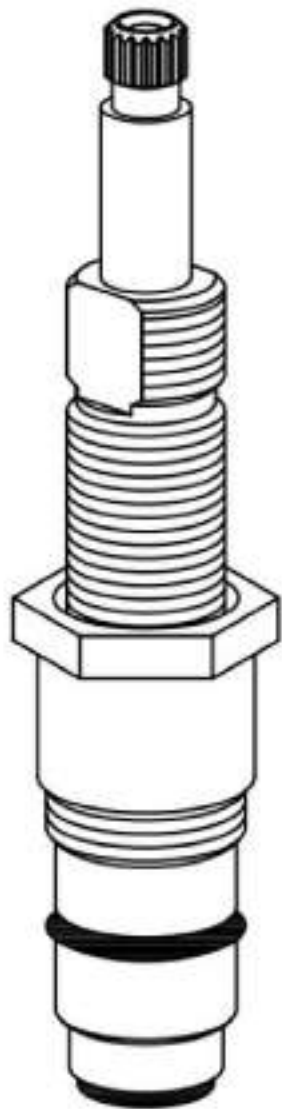


WOLVERINE 4-1/2"  
COLD  
WITH C.P (2)

W62213



16 PT.

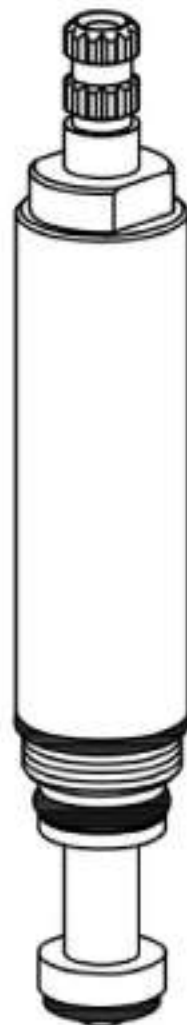


WALLACEBURG 4-7/8"  
HOT/COLD

W62340



12 PT.



WOLVERINE 4-1/2"  
HOT  
WITH C.P (2)

W62342



DIVERTER  
WITH N.P (1)



NSF61  
AB1953 C

# PLUMBING L-STEMS

HOLINKING HARDWARE  
[www.holinking.com](http://www.holinking.com)

