

# *Plumbing DIY Tank Lever*

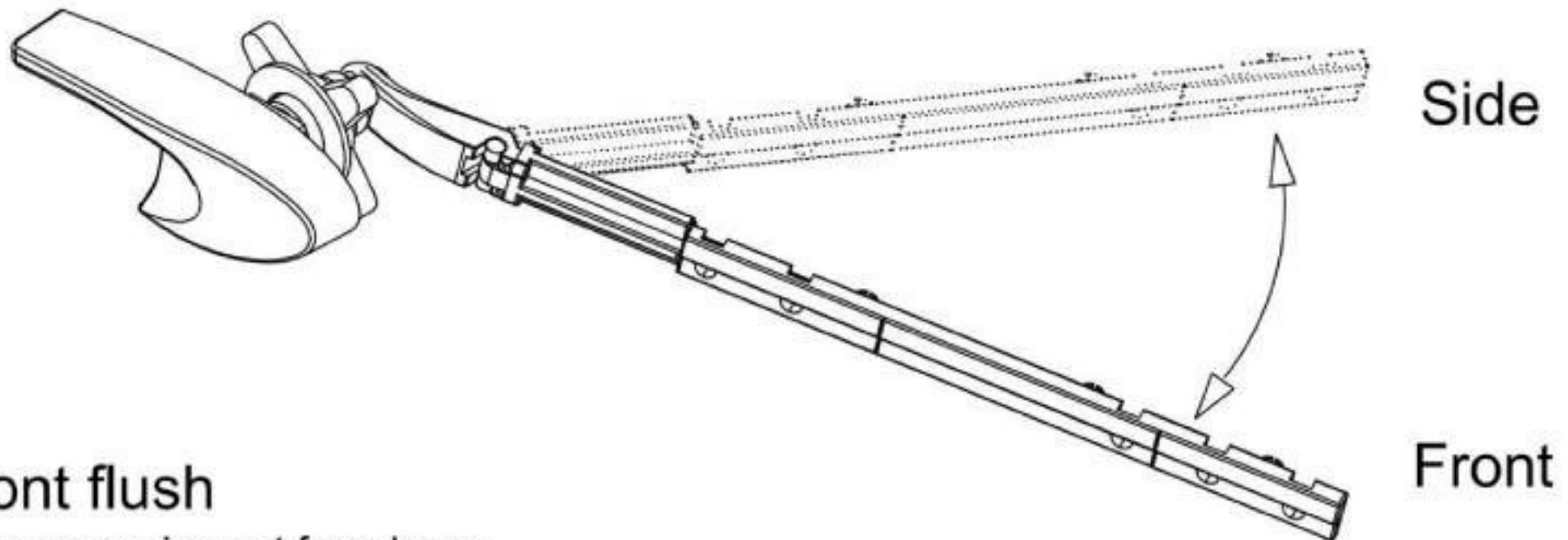


lapno :  
AB1953 C



**HOLINKING HARDWARE**  
[www.holinking.com](http://www.holinking.com)

# FITS MOST TANK LEVER



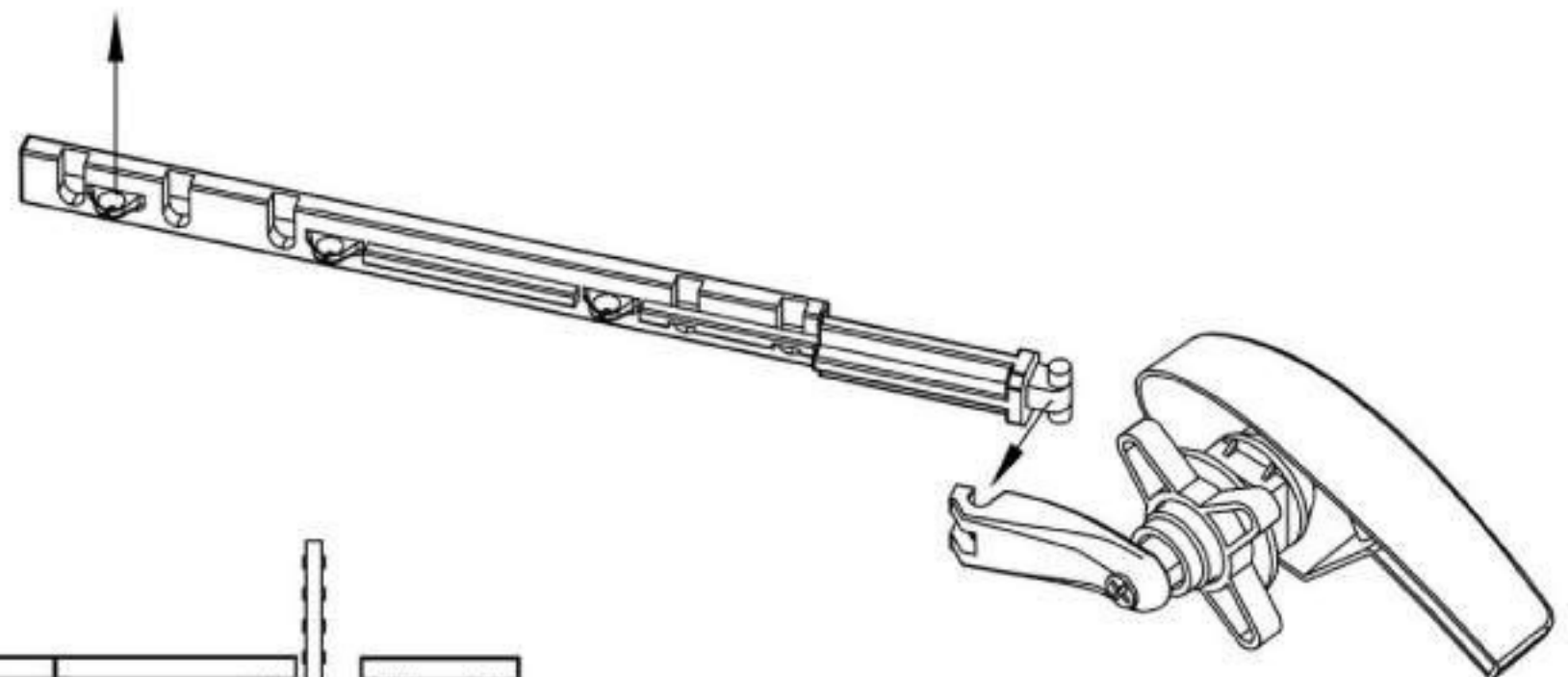
## Front flush

1. Remove wing nut from lever
2. Insert the lever through the hole on the front of the tank, the length can be adjusted accordingly, cut the lever at the pre-marked indicator to the intended length
3. Screw the wing nut onto lever to secure it in place
4. Attach the lift chain from the tank to the lever

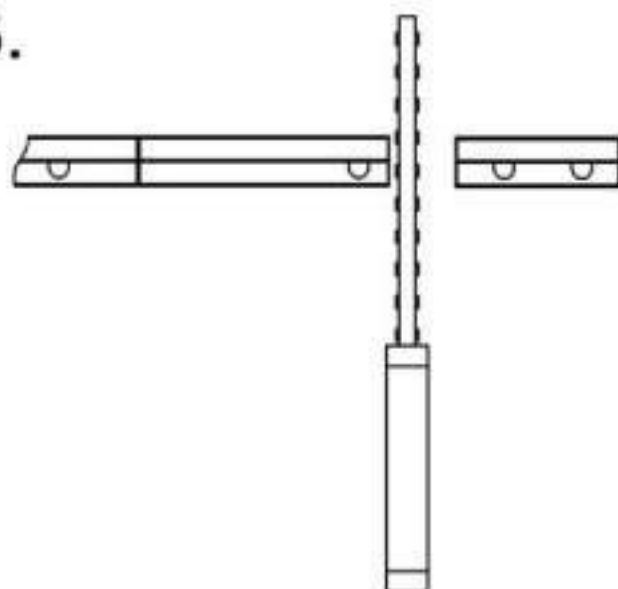
## Side flush

1. Remove wing nut from lever
2. Bend the lever outward, note that the lever will fall apart when bend inward but can be easily put back together in the socket. When putting it back together the slots for the lift chain are pointed facing away
3. Insert the lever through the hole on the side of the tank, the length can be adjusted accordingly, cut the lever at the pre-marked indicator to the intended length
4. Screw the wing nut onto lever to secure it in place
5. Attach the lift chain from the tank to the lever

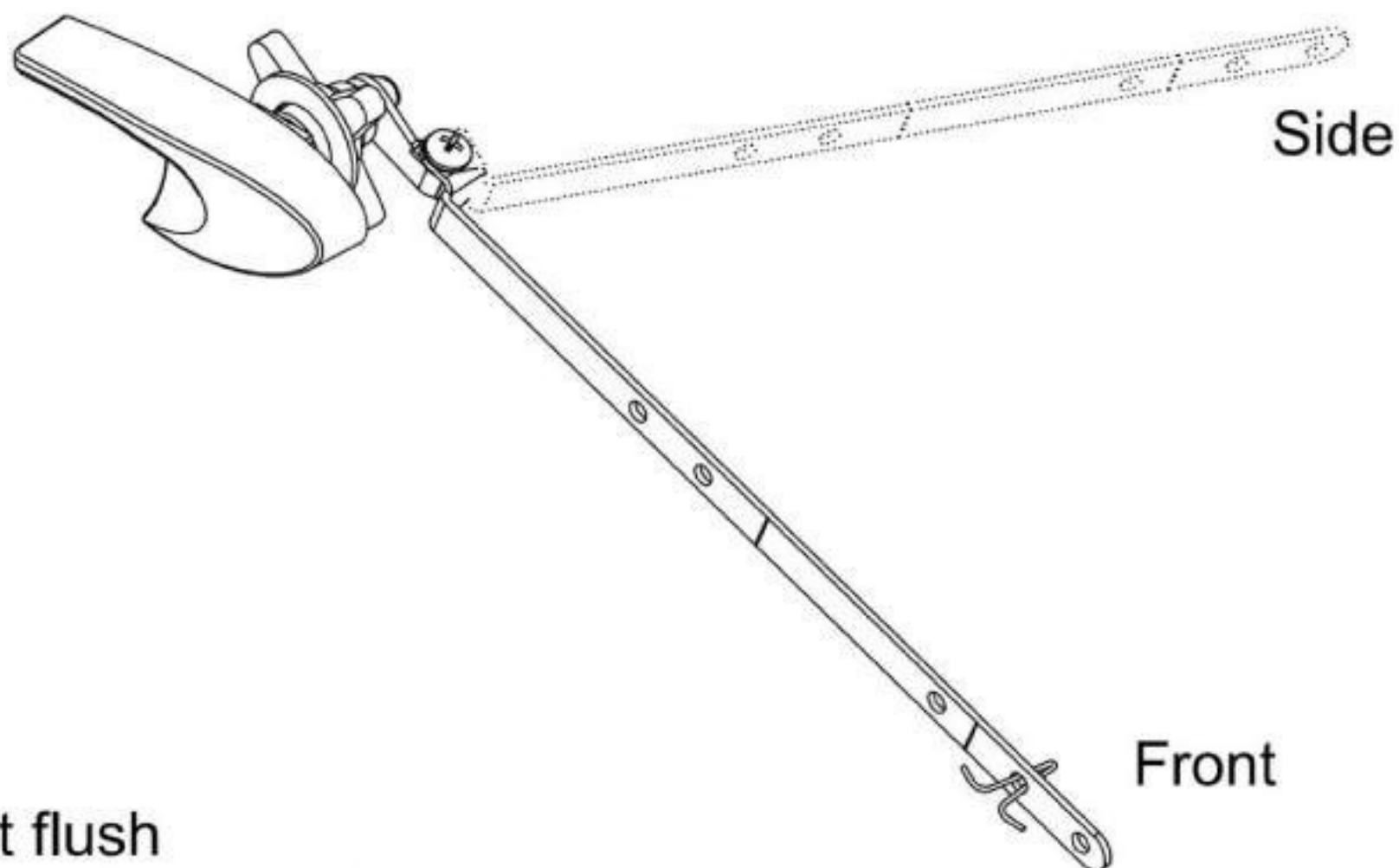
## Side flush 2.



## Side flush 3.



## FITS ALL TANK LEVER



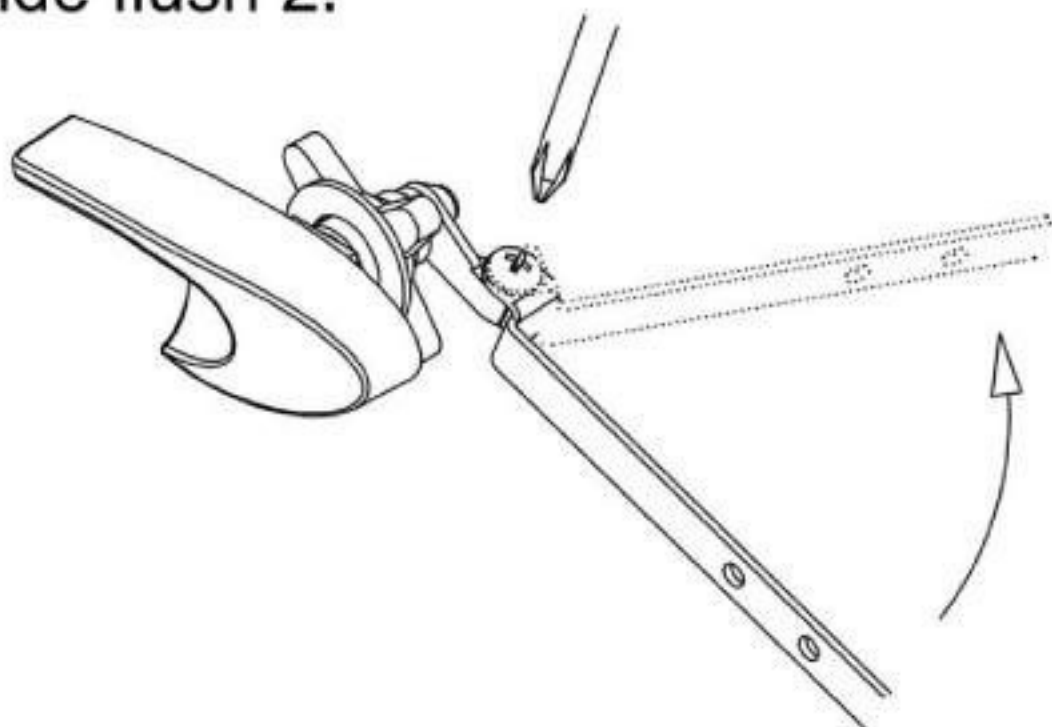
### Front flush

1. Remove wing nut from lever
2. Insert the lever through the hole on the front of the tank, the length can be adjusted accordingly, cut the lever at the pre-marked indicator to the intended length
3. Screw the wing nut onto lever to secure it in place
4. Attach the lift chain from the tank to the lever

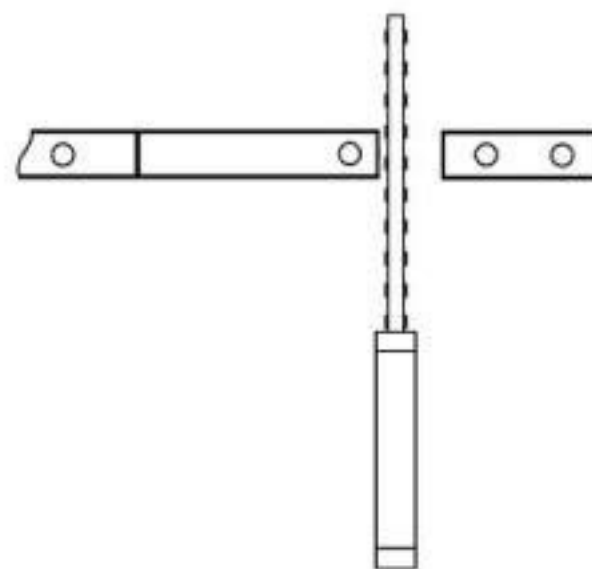
### Side flush

1. Remove wing nut from lever
2. Bend the lever outward, adjust screw to need angle by screwdriver
3. Insert the lever through the hole on the side of the tank, the length can be adjusted accordingly, cut the lever at the pre-marked indicator to the intended length
4. Screw the wing nut onto lever to secure it in place
5. Attach the lift chain from the tank to the lever
6. For angled tanks bend rod slowly to dodge the obstacle if necessary

### Side flush 2.



### Side flush 3.



**0500** UNIVERSAL

4-1/4"

ZINC HANDLE  
BRASS ARM OR  
PLATED STEEL ARM  
ZINC NUT OR PLASTIC NUT

**0503** UNIVERSAL

8"

ZINC HANDLE  
BRASS ARM OR  
PLATED STEEL ARM  
ZINC NUT OR PLASTIC NUT

**0531** PUSH BUTTON

TANK LEVER  
FRONT MOUNT  
CHROME  
PLATED  
HANDLE

CP PLASTIC BODY

**0501** UNIVERSAL

8"

ZINC HANDLE  
BRASS ARM OR  
PLATED STEEL ARM  
ZINC NUT OR PLASTIC NUT

**0504** UNIVERSAL

8"

ZINC HANDLE  
BRASS ARM OR  
PLATED STEEL ARM  
ZINC NUT OR PLASTIC NUT

**0532** PUSH BUTTON

TANK LEVER SIDE MOUNT

CP PLASTIC BODY

CHROME  
PLATED  
HANDLE

**0536** UNIVERSAL

8"

ZINC HANDLE  
BRASS ARM OR  
PLATED STEEL ARM  
ZINC NUT OR PLASTIC NUT

**0515** FLAT ARM  
TANK LEVER

8"

ZINC HANDLE  
FLAT ARM  
PLASTIC NUT

**0552** TOTO

11"

ZINC HANDLE  
BRASS ARM OR  
PLASTIC NUT

FOR ST701 / CST854 / 884

**0502** UNIVERSAL

8"

ZINC HANDLE  
BRASS ARM OR  
PLATED STEEL ARM  
ZINC NUT OR PLASTIC NUT

**0511** FLAT ARM  
TANK LEVER

10" OFFSET FLAT BRASS ARM

CHROME  
PLATED  
HANDLE

ZINC NUT

**0553** TOTO

10"

ZINC HANDLE  
BRASS ARM OR  
PLASTIC NUT

FOR ST706

**0521** UNIVERSAL

4-1/4"

ZINC HANDLE  
BRASS ARM OR  
PLATED STEEL ARM  
ZINC NUT OR PLASTIC NUT

**0530** FLAT ARM  
TANK LEVER

8" OFFSET FLAT BRASS ARM

CHROME  
PLATED  
HANDLE

ZINC NUT

**0554** TOTO

10-1/2"

ZINC HANDLE  
BRASS ARM OR  
PLASTIC NUT

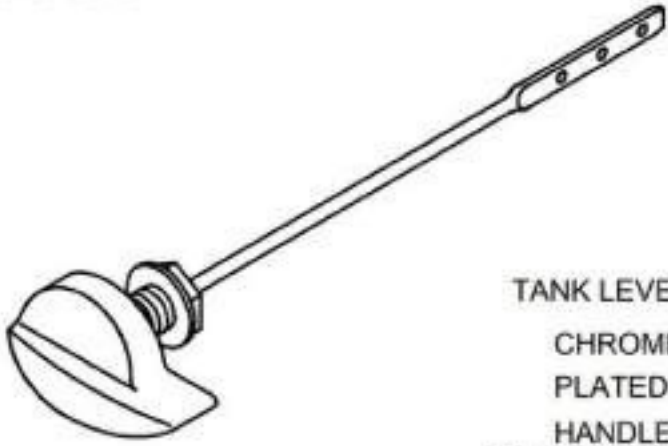
FOR ST743S

TANK LEVER

TANK LEVER

0533

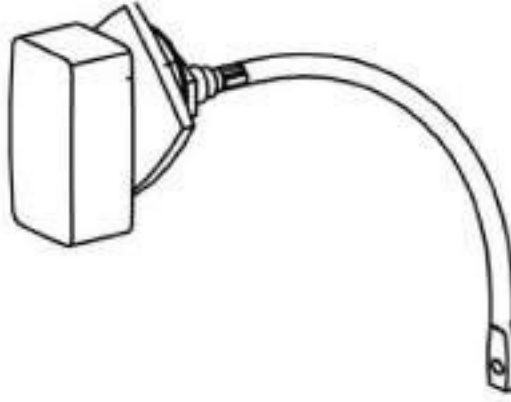
KOHLER



TANK LEVER  
CHROME  
PLATED  
HANDLE  
SIDE MOUNT

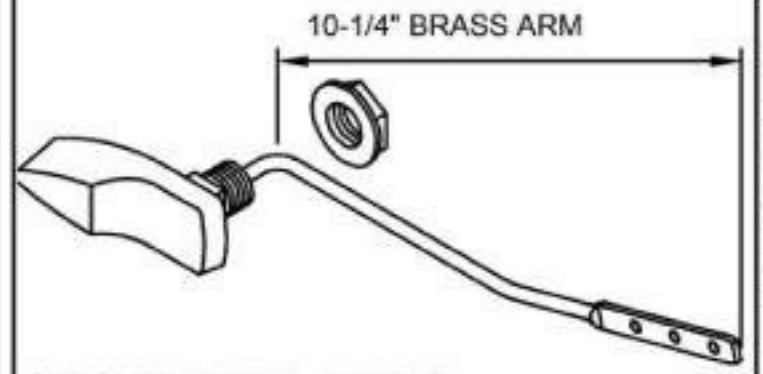
0507

KOHLER



0505

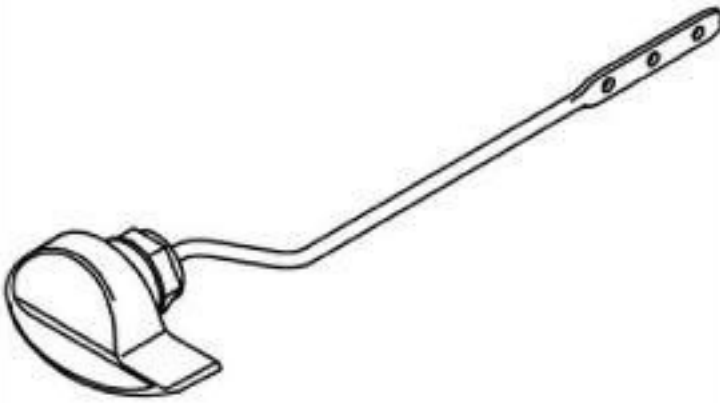
MANSFIELD



CHROMED METAL HANDLE  
MOULDED SPUD AND NUT

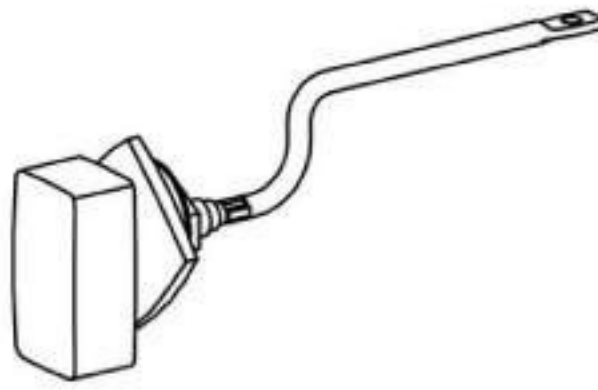
0535

KOHLER



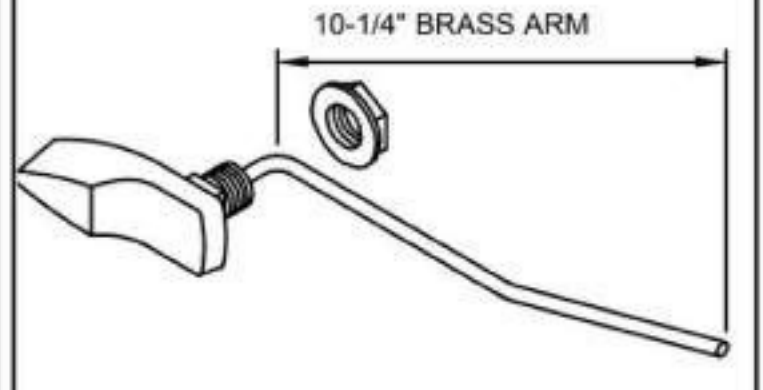
0519

KOHLER



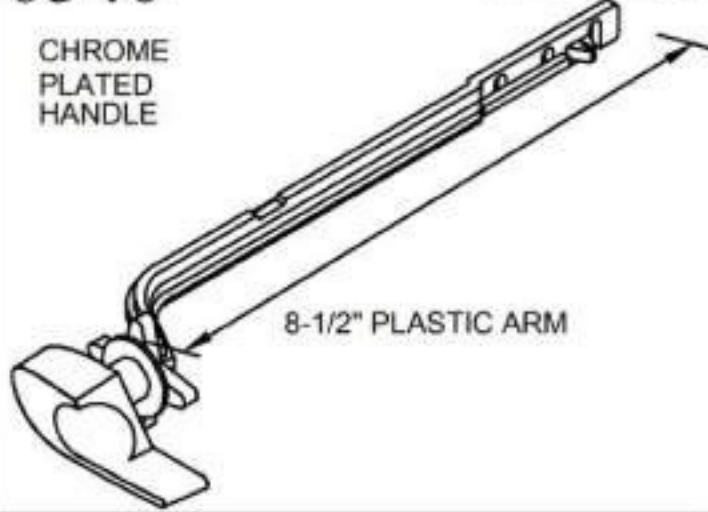
0520

MANSFIELD



0540

KOHLER



CHROME  
PLATED  
HANDLE

8-1/2" PLASTIC ARM

6201

ELJER TOILET  
FLUSH UNIT

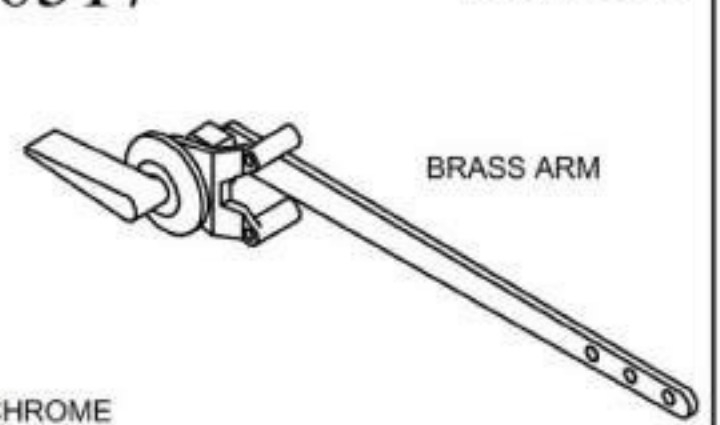


FITS ELJER  
TOUCH FLUSH  
HANDLE

Replacement for Eljer toilet touch flush unit  
Complete kit includes lock lever  
guide charm and rubber tank bar

0517

KOHLER

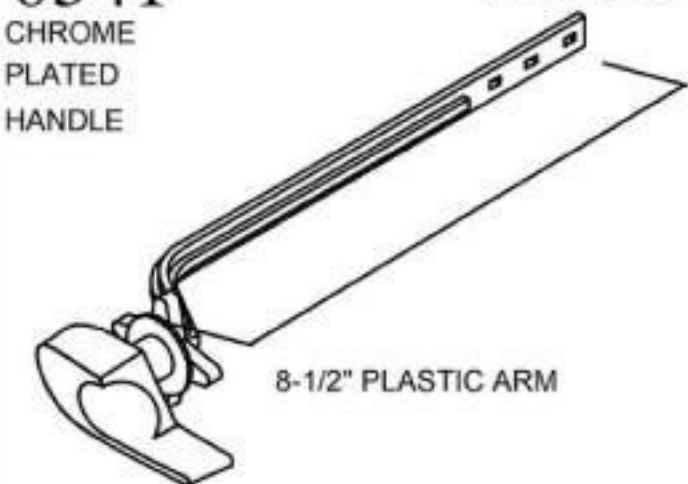


BRASS ARM

CHROME  
PLATED  
HANDLE

0541

KOHLER

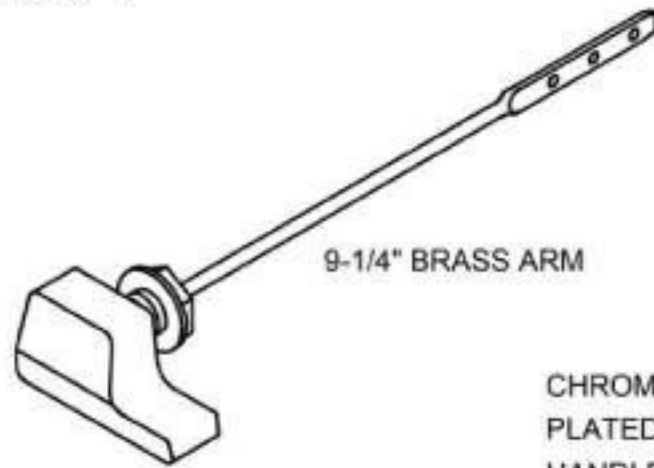


CHROME  
PLATED  
HANDLE

8-1/2" PLASTIC ARM

0534

ELJER

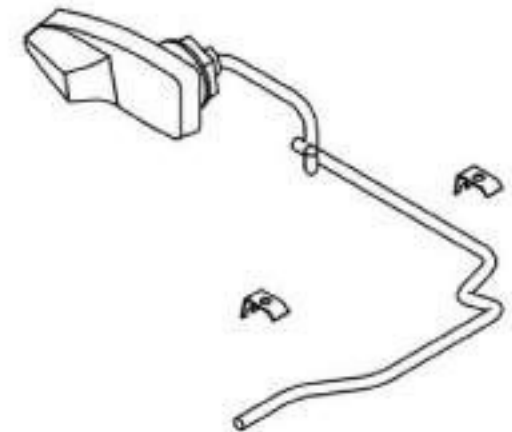


9-1/4" BRASS ARM

CHROME  
PLATED  
HANDLE

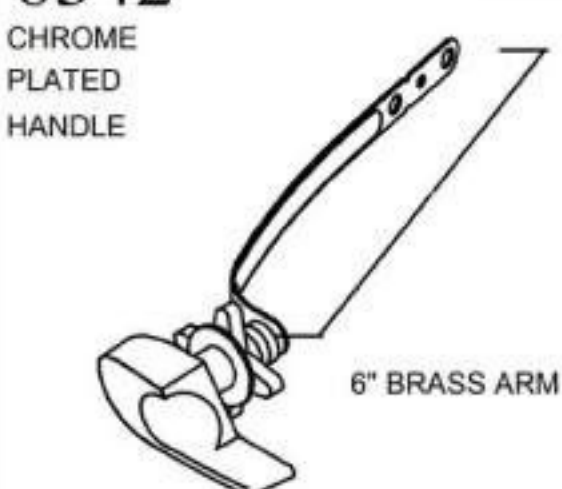
0557

GERBER



0542

KOHLER

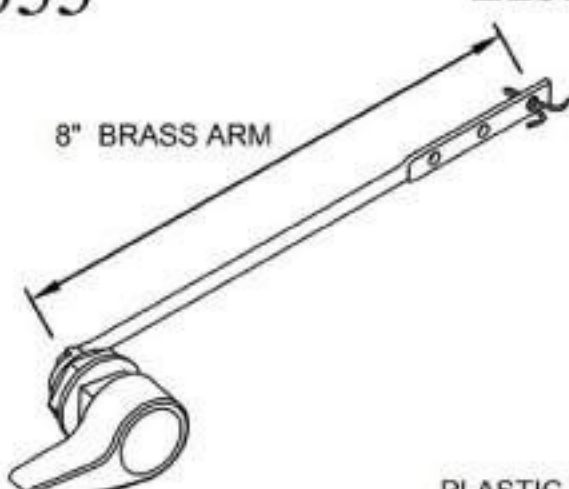


CHROME  
PLATED  
HANDLE

6" BRASS ARM

0555

ELJER

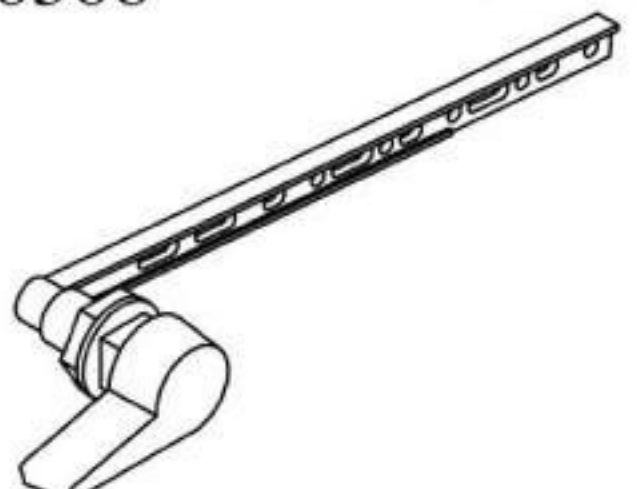


8" BRASS ARM

PLASTIC NUT

0506

GERBER



TANK LEVER

TANK LEVER

0522 UNIVERSAL

8"

0538 AMERICAN STANDARD

RIGHT HAND TRIP LEVER ASS'Y

0548 AMERICAN STANDARD

RIGHT HAND TRIP LEVER ONLY

0523 AMERICAN STANDARD

6"

0544 AMERICAN STANDARD

LEFT HAND TRIP LEVER ONLY

0550 AMERICAN STANDARD

LEFT HAND TRIP LEVER ASS'Y

0529 AMERICAN STANDARD

4-1/4"

0545 AMERICAN STANDARD

RIGHT HAND TRIP LEVER ONLY

0549 AMERICAN STANDARD

RIGHT HAND TRIP LEVER ASS'Y

0524 AMERICAN STANDARD

6"

0546 AMERICAN STANDARD

7-1/2"

0551 AMERICAN STANDARD

TANK LEVER ASS'Y

0537 AMERICAN STANDARD

LEFT HAND TRIP LEVER ASS'Y

0547 AMERICAN STANDARD

LEFT HAND TRIP LEVER ONLY

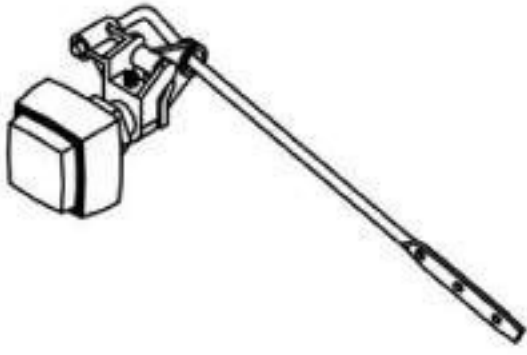
0525 AMERICAN STANDARD

CP ZINC DIE CAST BODY

TANK LEVER

0526

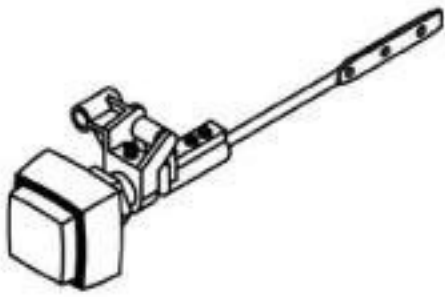
AMERICAN STANDARD



CP ZINC DIE CAST BODY

0527

AMERICAN STANDARD



CP ZINC DIE CAST BODY

6101

AMERICAN STANDARD



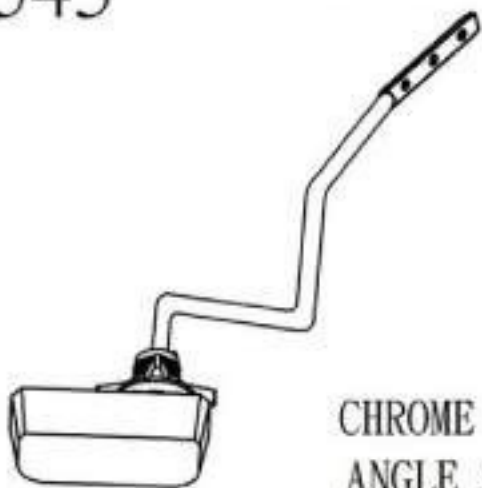
6111

AMERICAN STANDARD



0543

BRIGGS VACUITY



CHROME PLATED  
ANGLE MOUNT

TANK LEVER